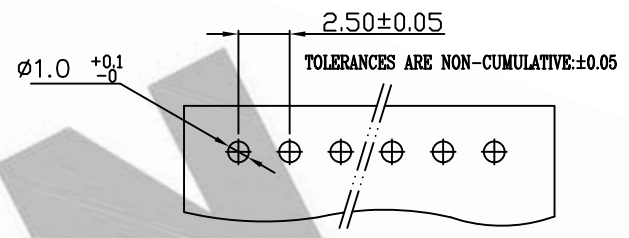
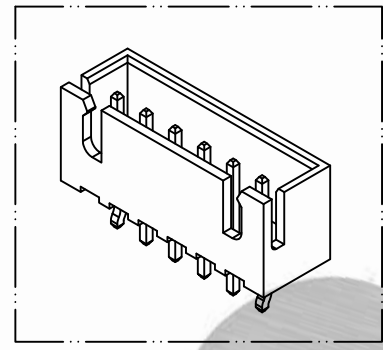
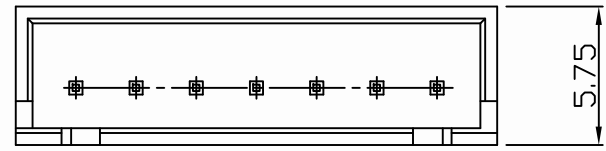


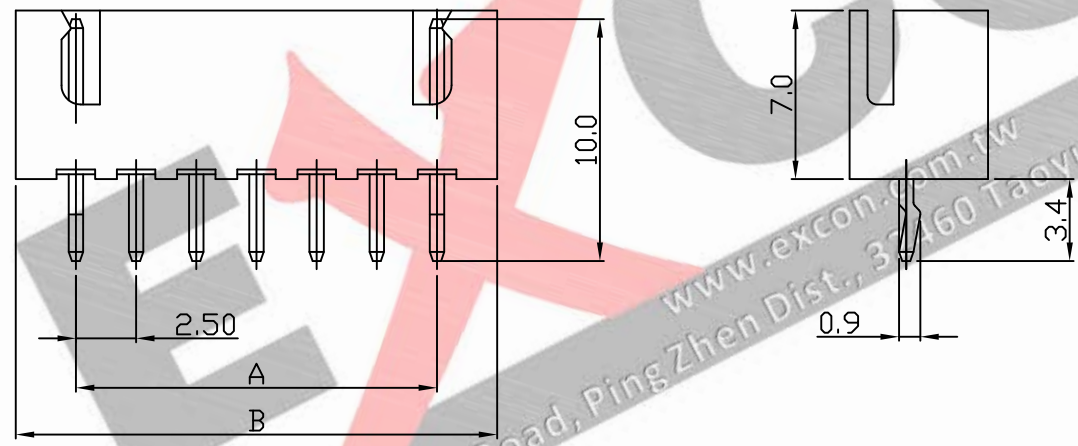
PART NO. 2501XXWV001  
 DWG NO. C2501WV



**RECOMMENDED PCB LAYOUT**  
 (PCB THK=0.8~1.6)

**Dimensional & Ordering Information:**

Part No.	Circuits	Dim A	Dim B
250102WV001	2	2.50	7.50
250103WV001	3	5.00	10.00
250104WV001	4	7.50	12.50
250105WV001	5	10.00	15.00
250106WV001	6	12.50	17.50
250107WV001	7	15.00	20.00
250108WV001	8	17.50	22.50
250109WV001	9	20.00	25.00
250110WV001	10	22.50	27.50
250111WV001	11	25.00	30.00
250112WV001	12	27.50	32.50
250113WV001	13	30.00	35.00
250114WV001	14	32.50	37.50
250115WV001	15	35.00	40.00
250116WV001	16	37.50	42.50
250117WV001	17	40.00	45.00
250118WV001	18	42.50	47.50
250119WV001	19	45.00	50.00
250120WV001	20	47.50	52.50



**NOTE:**

1. Wafer Material: Nylon 66 UL94V-0  
Pin/Pos Material: brass bronze.
2. Plated: Tin-plated 50u"min.
3. Insulation resistance: 1000M Ω/min.
4. Withstand voltage: 1000V AC/minute.
5. Current retang: 3A AC/DC.
6. Voltage rating: 250V AC/DC

				UNLESS OTHERWISE SPECIFIED TOLERANCES	
				3 PLACE ±0.5 ±0.10	
				2 PLACE ±1.5 ±0.25	
				1 PLACE ±2.0 ±0.50	
				ANGLE DIM	
REV.	REVISIONI			DIS	DATE
SCALE	REV.	PAGE:	UNIT	mm	
5/1	A	1	THIRD ANGLE PROJECTION		

**EXCON**  
**EXCON TECHNOLOGY COMPANY**

PART.NO: 2501xxWV001