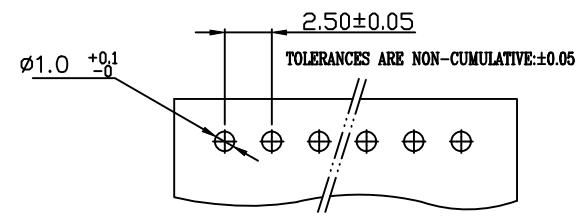
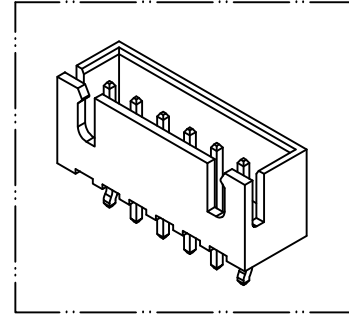
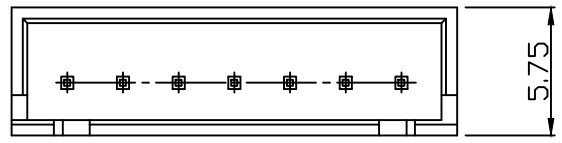
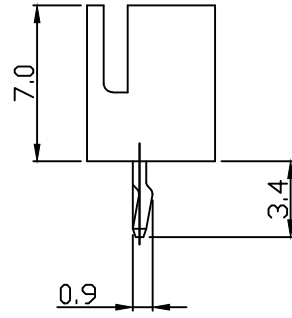
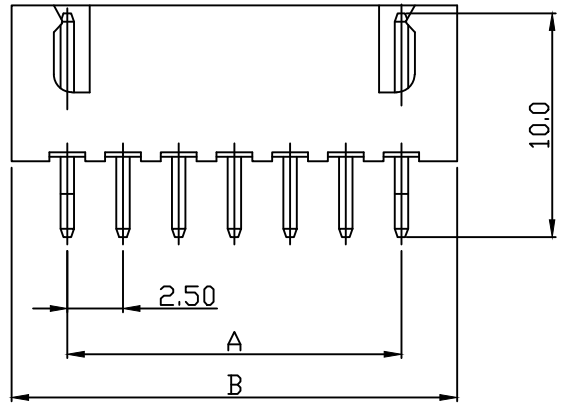


PART NO. 2501XXWV001  
 DWG NO. C2501WV



**RECOMMENDED PCB LAYOUT**  
 (PCB THK=0.8~1.6)



**Dimensional & Ordering Information:**

| Part No.    | Circuits | Dim A | Dim B |
|-------------|----------|-------|-------|
| 250102WV001 | 2        | 2.50  | 7.50  |
| 250103WV001 | 3        | 5.00  | 10.00 |
| 250104WV001 | 4        | 7.50  | 12.50 |
| 250105WV001 | 5        | 10.00 | 15.00 |
| 250106WV001 | 6        | 12.50 | 17.50 |
| 250107WV001 | 7        | 15.00 | 20.00 |
| 250108WV001 | 8        | 17.50 | 22.50 |
| 250109WV001 | 9        | 20.00 | 25.00 |
| 250110WV001 | 10       | 22.50 | 27.50 |
| 250111WV001 | 11       | 25.00 | 30.00 |
| 250112WV001 | 12       | 27.50 | 32.50 |
| 250113WV001 | 13       | 30.00 | 35.00 |
| 250114WV001 | 14       | 32.50 | 37.50 |
| 250115WV001 | 15       | 35.00 | 40.00 |
| 250116WV001 | 16       | 37.50 | 42.50 |
| 250117WV001 | 17       | 40.00 | 45.00 |
| 250118WV001 | 18       | 42.50 | 47.50 |
| 250119WV001 | 19       | 45.00 | 50.00 |
| 250120WV001 | 20       | 47.50 | 52.50 |

**NOTE:**

1. Wafer Material: Nylon 66 UL94V-0  
Pin/Pos Material: brass bronze.
2. Plated: Tin-plated 50u"min.
3. Insulation resistance: 1000M Ω/min.
4. Withstand voltage: 1000V AC/minute.
5. Current rating: 3A AC/DC.
6. Voltage rating: 250V AC/DC

|                                       |          |      |                        |
|---------------------------------------|----------|------|------------------------|
| UNLESS OTHERWISE SPECIFIED TOLERANCES |          |      |                        |
| 3 PLACE ±0.5 ±0.10                    |          |      |                        |
| 2 PLACE ±1.5 ±0.25                    |          |      |                        |
| 1 PLACE ±2.0 ±0.50                    |          |      |                        |
| ANGLE DIM                             |          |      |                        |
| REV.                                  | REVISION |      | DIS DATE               |
| SCALE                                 | REV.     | PAGE | UNIT mm                |
| 5/1                                   | A        | 1    | THIRD ANGLE PROJECTION |

EXCON  
 EXCON TECHNOLOGY COMPANY

DWG NO: C2501WV  
 PART.NO: 2501xxWV001