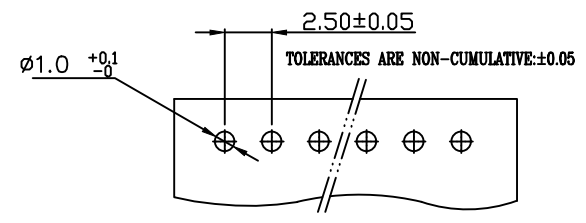
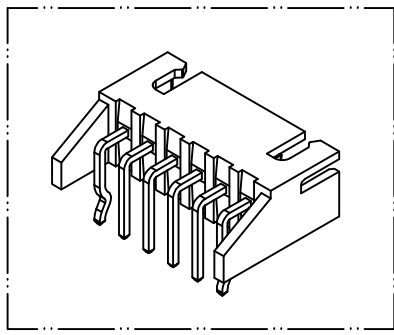
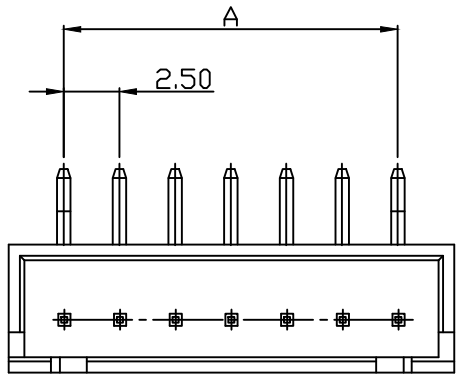


10 9 8 7 6 5 4 3 2 1

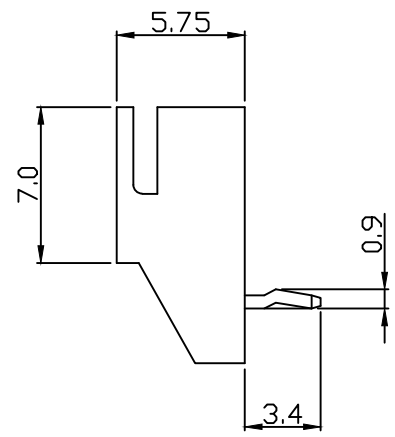
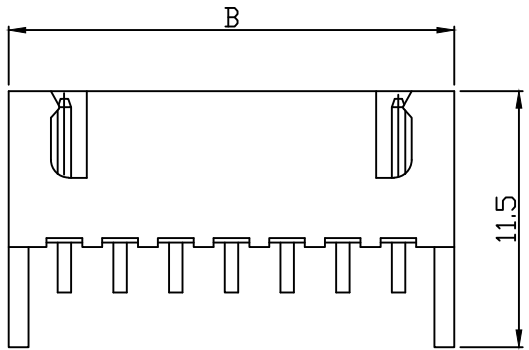
PART NO. 2501XXWR001
 DWG NO. C2501WR



RECOMMENDED PCB LAYOUT
 (PCB THK=0.8~1.6)

Dimensional & Ordering Information:

Part No.	Circuits	Dim A	Dim B
250102WR001	2	2.50	7.50
250103WR001	3	5.00	10.00
250104WR001	4	7.50	12.50
250105WR001	5	10.00	15.00
250106WR001	6	12.50	17.50
250107WR001	7	15.00	20.00
250108WR001	8	17.50	22.50
250109WR001	9	20.00	25.00
250110WR001	10	22.50	27.50
250111WR001	11	25.00	30.00
250112WR001	12	27.50	32.50
250113WR001	13	30.00	35.00
250114WR001	14	32.50	37.50
250115WR001	15	35.00	40.00
250116WR001	16	37.50	42.50
250117WR001	17	40.00	45.00
250118WR001	18	42.50	47.50
250119WR001	19	45.00	50.00
250120WR001	20	47.50	52.50



NOTE:

1. Wafer Material: Nylon 66 UL94V-0
Pin/Pos Material: brass bronze.
2. Plated: Tin-plated 50u"min.
3. Insulation resistance: 1000M Ω/min.
4. Withstand voltage: 1000V AC/minute.
5. Current retang: 3A AC/DC.
6. Voltage rating: 250V AC/DC

REV.	REVISIONI		DIS	DATE	UNLESS OTHERWISE SPECIFIED TOLERANCES 3 PLACE ±0.5 ±0.10 2 PLACE ±1.5 ±0.25 1 PLACE ±2.0 ±0.50 ANGLE DIM
SCALE	REV.	PAGE:	UNIT	mm	
5/1	A	1	THIRD ANGLE PROJECTION		DWG NO: C2501WR

EXCON
EXCON TECHNOLOGY COMPANY

PART.NO
 2501xxWR001

10 9 8 7 6 5 4 3 2 1