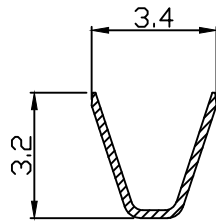
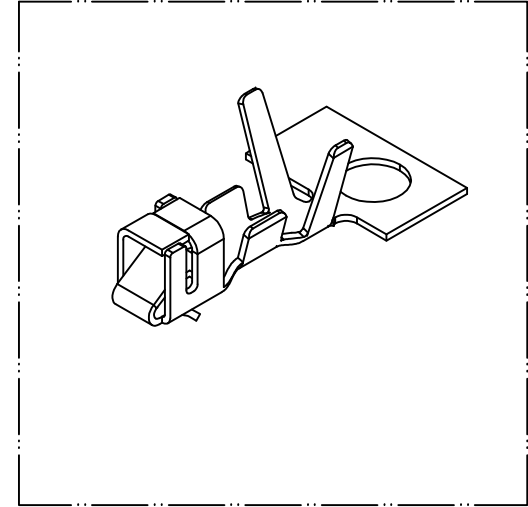
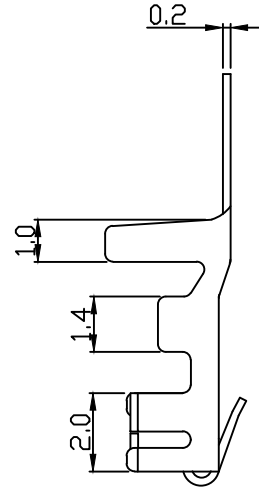
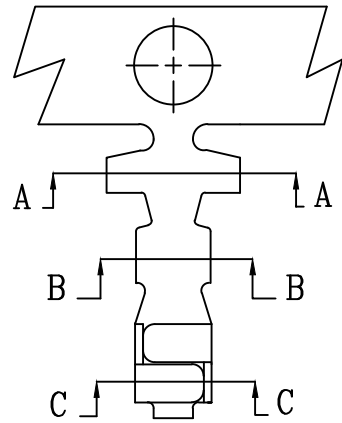
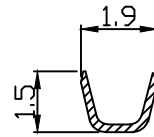


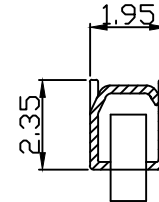
PART NO. 250100TCxxx  
 DWG NO. C2501TC



SEC A-A



SEC B-B



SEC C-C

NOTE:

- Terminal Material:  
Brass bronze
- Plated: Tin-plated 50u"min.
- Applicable wires: AWG#30-#22
- Insulation O.D.: 0.9-1.9mm
- Q'ty / reel:7,000 pcs

Part No.	Wire Range	Insulation O.D.	Material	Finish	Q'ty/reel
250100TC351	AWG#30~#22	0.9-1.7mm	Phosphor	Tin pre-plated	7,000pcs
250100TC051	AWG#30~#22	0.9-1.7mm	Brass	Tin pre-plated	7,000pcs
UNLESS OTHERWISE SPECIFIED TOLERANCES					
3 PLACE ±0.5 ±0.10					
2 PLACE ±1.5 ±0.25					
1 PLACE ±2.0 ±0.50					
REV.	REVISION		DIS	DATE	ANGLE DIM
SCALE	REV.	PAGE	UNIT	mm	DWG NO:
5/1	B	1	THIRD ANGLE PROJECTION		C2501TC
					PART.NO
					250100TCxxx