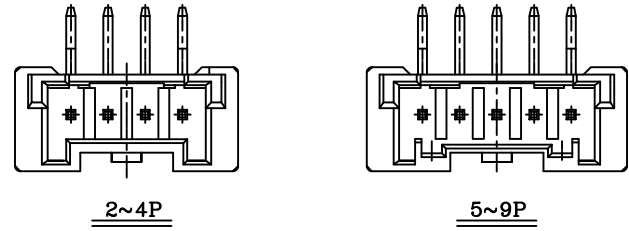
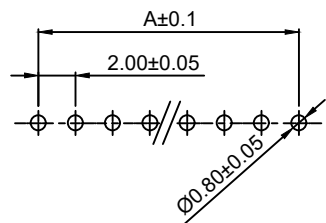


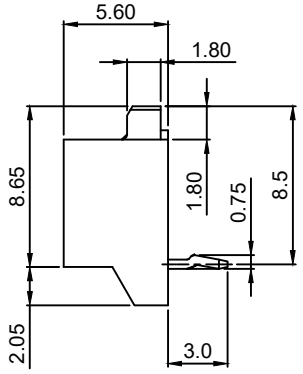
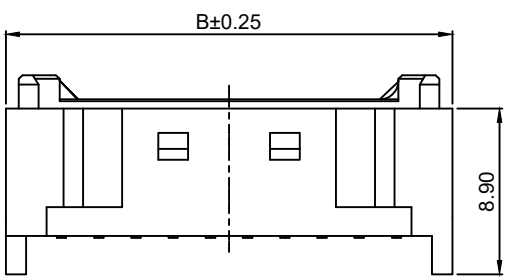
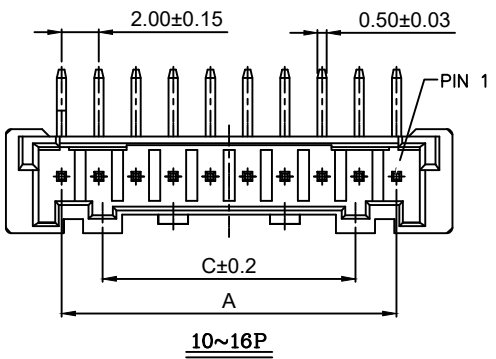
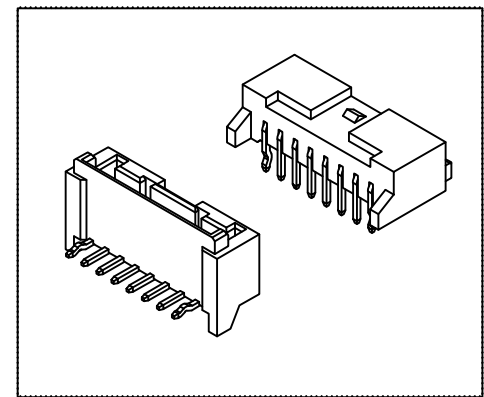
PART NO. 2011xxWR201
 DWG NO. C2011WR



TOLERANCES ARE NON-CUMULATIVE: ±0.05



RECOMMENDED PCB LAYOUT
 (PCB THK=1.0~1.6)



Dimensional & Ordering Information:

Part No.	Circuits	A	B	C
201102WR201	2	2.00	8.0	
201103WR201	3	4.00	10.0	
201104WR201	4	6.00	12.0	
201105WR201	5	8.00	14.0	
201106WR201	6	10.00	16.0	
201107WR201	7	12.00	18.0	7.00
201108WR201	8	14.00	20.0	
201109WR201	9	16.00	22.0	
201110WR201	10	18.00	24.0	
201111WR201	11	20.00	26.0	
201112WR201	12	22.00	28.0	
201113WR201	13	24.00	30.0	13.60
201114WR201	14	26.00	32.0	
201115WR201	15	28.00	34.0	
201116WR201	16	30.00	36.0	

NOTE:

1. Wafer Material: PBT UL 94V-0
Pin/Pos Material: brass bronze.
2. Plated: Tin-plated 50u"min.
3. Insulation resistance: 1000M ohm/min.
4. Withstand voltage: 800V AC/minute.
5. Current rating: 3A AC/DC.
6. Voltage rating: 250V AC/DC

REV.	REVISION	DIS	DATE
SCALE	REV.	PAGE:	UNIT
4/1	A	1	mm

UNLESS OTHERWISE SPECIFIED TOLERANCES
 3 PLACE ±0.5 ±0.10
 2 PLACE ±1.5 ±0.35
 1 PLACE ±2.0 ±0.50
 ANGLE DIM



DWG NO:	C2011WR	PART.NO	2011xxWR201
---------	---------	---------	-------------