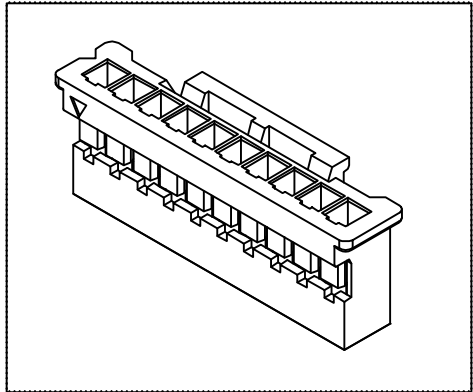
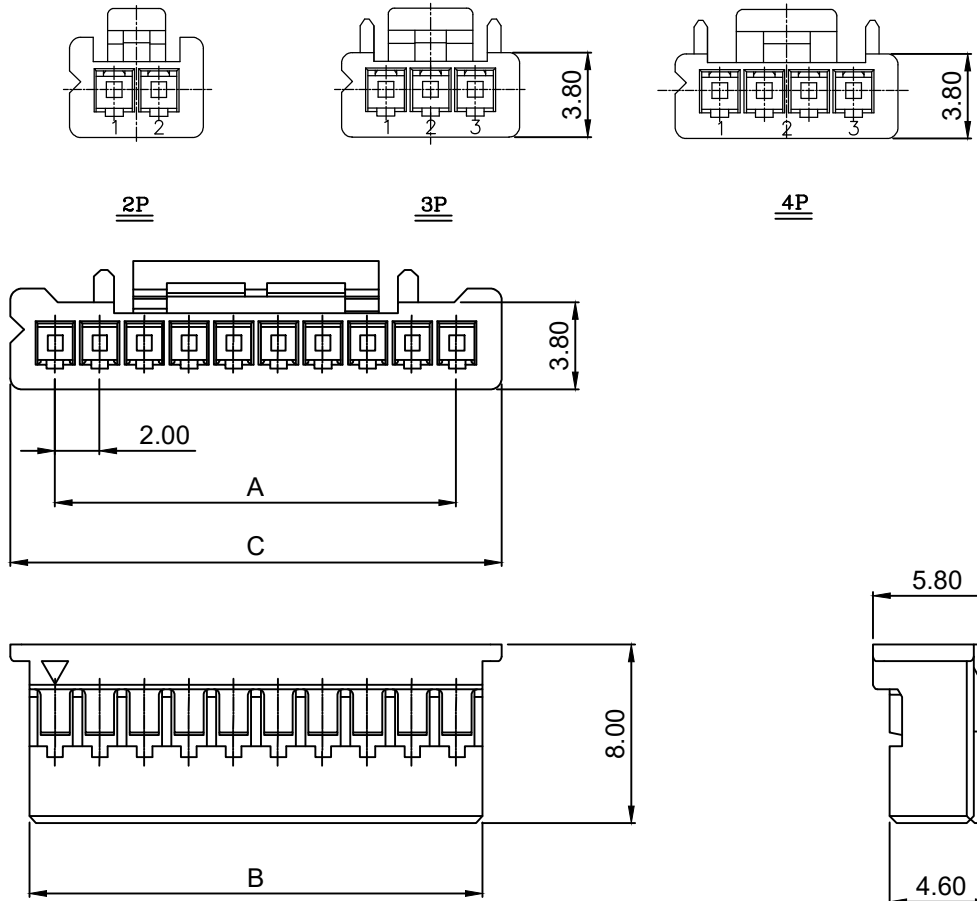


PART NO. 2011xxHA001  
 DWG NO. C2011HA



Dimensional & Ordering Information:

Part No.	Circuits	A	B	C
201102HA001	2	2.00	4.3	6.0
201103HA001	3	4.00	6.3	8.0
201104HA001	4	6.00	8.3	10.0
201105HA001	5	8.00	10.3	12.0
201108HA001	6	10.00	12.3	14.0
201107HA001	7	12.00	14.3	16.0
201108HA001	8	14.00	16.3	18.0
201109HA001	9	16.00	18.3	20.0
201110HA001	10	18.00	20.3	22.0
201111HA001	11	20.00	22.3	24.0
201112HA001	12	22.00	24.3	26.0
201113HA001	13	24.00	26.3	28.0
201114HA001	14	26.00	28.3	30.0
201115HA001	15	28.00	30.3	32.0
201116HA001	16	30.00	32.3	34.0

NOTE:

- Housing Material: Nylon 66 UL94 V0.
- Color: Natural
- Use Material: 101F-V0,CM3004
- Withstand voltage: 800V AC/minute.
- Current rating: 3A AC/DC.
- Voltage rating: 250V AC/DC

				UNLESS OTHERWISE SPECIFIED TOLERANCES		<b>EXCON</b> EXCON TECHNOLOGY COMPANY
				3 PLACE ±0.5 ±0.10		
				2 PLACE ±1.5 ±0.35		
				1 PLACE ±2.0 ±0.50		
				ANGLE DIM		
REV.	REVISION		DIS	DATE		
SCALE	REV.	PAGE	UNIT	mm		DWG NO:
4/1	A	1	THIRD ANGLE PROJECTION			C2011HA
					PART.NO	
					2011xxHA001	