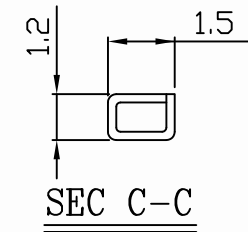
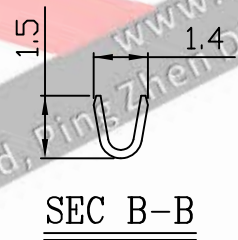
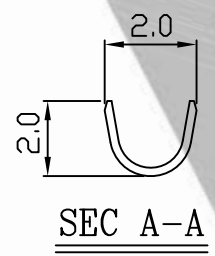
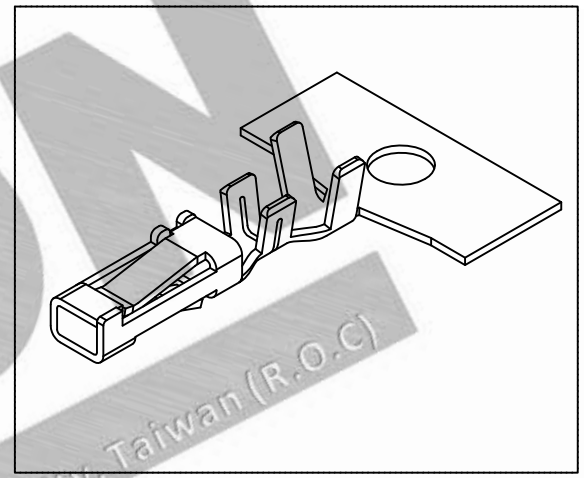
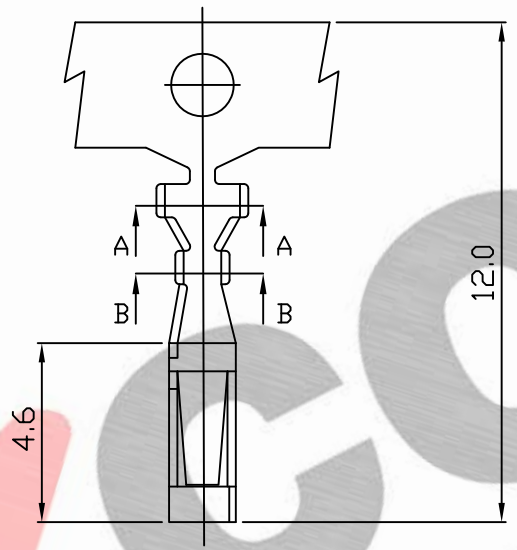
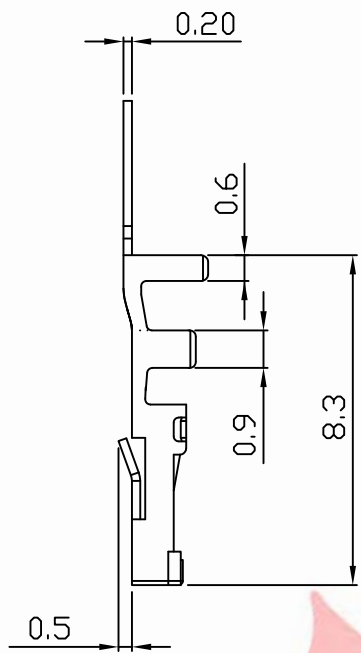


PART NO. 200900TB051
 DWG NO. C2009TB



NOTE:

1. Terminal Material: Brass
2. Color: Natural
3. Applicable wires: AWG#28-#24
4. Q'ty / reel: 10,000 pcs

				UNLESS OTHERWISE SPECIFIED TOLERANCES		EXCON EXCON TECHNOLOGY COMPANY
				3 PLACE ±0.5 ±0.10		
				2 PLACE ±1.5 ±0.35		PART.NO
				1 PLACE ±2.0 ±0.50		
				ANGLE DIM		PART.NO
REV.	REVISIONI			DIS	DATE	
SCALE	REV.	PAGE:	UNIT	mm		200900TB051
4/1	A	1	THIRD ANGLE PROJECTION			