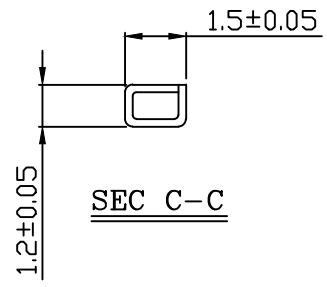
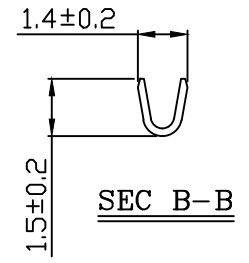
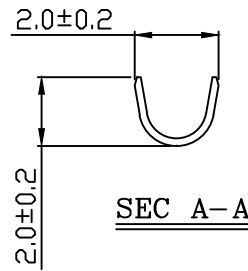
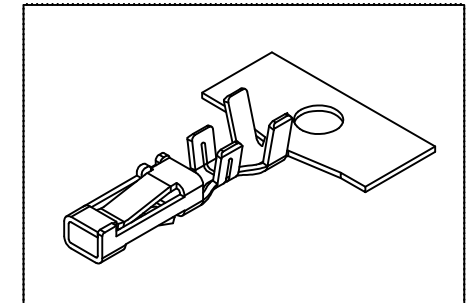
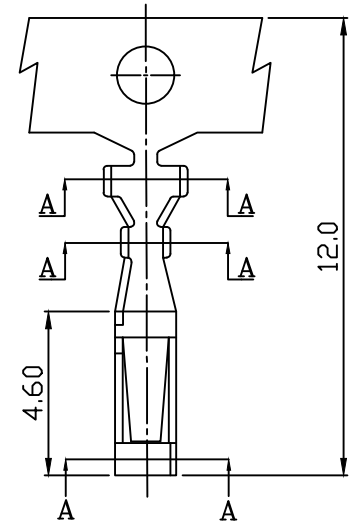
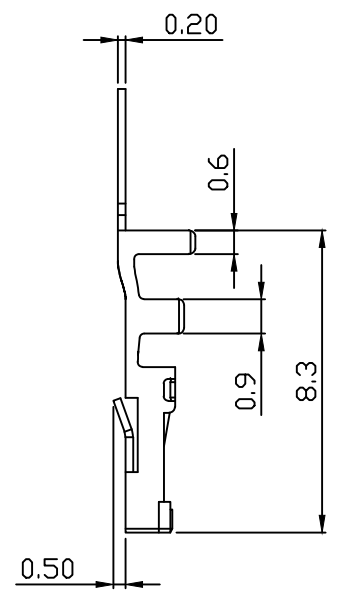
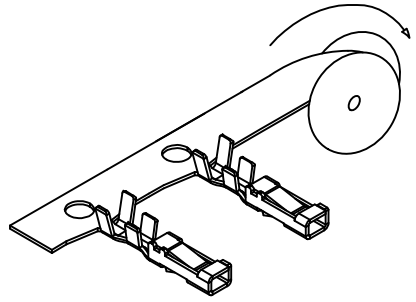


PART NO. 200900TB051
 DWG NO. C2009TB

- NOTE:
1. Terminal Material: Brass
 2. Color: Natural
 3. Applicable wires: AWG#28-#24
 4. Q'ty / reel: 10,000 pcs



No.	Part No.	Material	Finish
1	200900TB051	Brass	Tin pre-plated
2			



				UNLESS OTHERWISE SPECIFIED TOLERANCES		 EXCON TECHNOLOGY COMPANY
				3 PLACE $\pm 0.5 \pm 0.10$		
				2 PLACE $\pm 1.5 \pm 0.25$		PART.NO
				1 PLACE $\pm 2.0 \pm 0.50$		
				ANGLE DIM		200900TB051
REV.	REVISIONI		DIS	DATE	DWG NO:	
SCALE	REV.	PAGE:	UNIT	m m	PART.NO	
NONE	B	1	THIRD ANGLE PROJECTION		C2009TB	