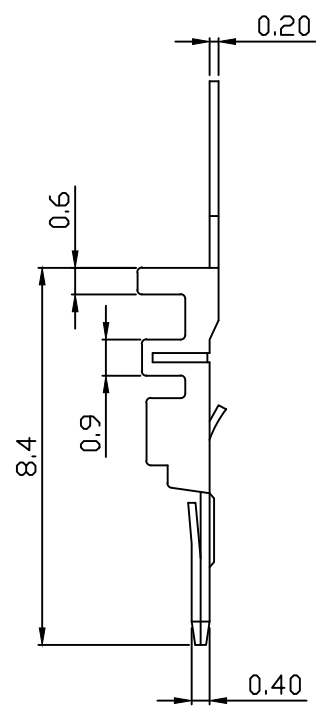
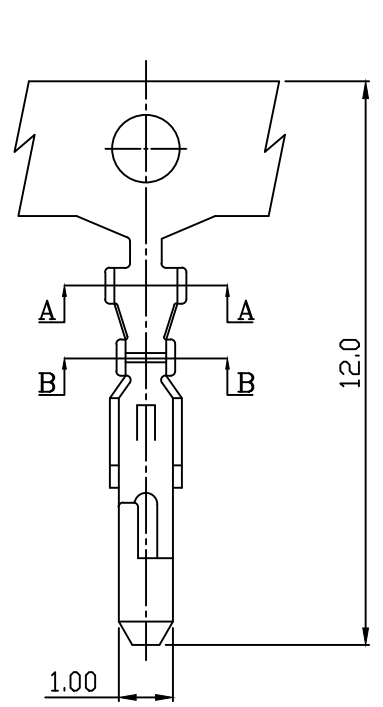
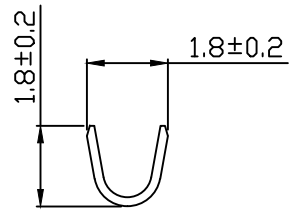
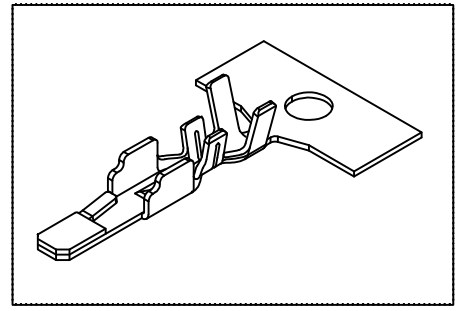


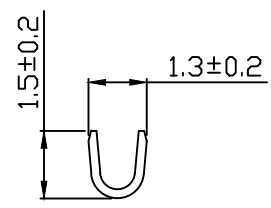
PART NO. 200900TA051
 DWG NO. C2009TA



- NOTE:
1. Terminal Material: Brass
 2. Color: Natural
 3. Applicable wires: AWG#28-#24
 4. Q'ty / reel: 10,000 pcs

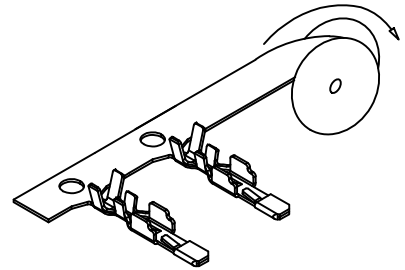



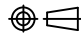
SEC A-A



SEC B-B

No.	Part No.	Material	Finish
1	200900TA051	Brass	Tin pre-plated
2			



				UNLESS OTHERWISE SPECIFIED TOLERANCES		 EXCON TECHNOLOGY COMPANY
				3 PLACE ±0.5 ±0.10		
				2 PLACE ±1.5 ±0.25		
				1 PLACE ±2.0 ±0.50		
				ANGLE DIM		
REV.	REVISIONI			DIS	DATE	
SCALE	REV.	PAGE:	UNIT	mm		DWG NO:
NONE	B	1	THIRD ANGLE PROJECTION			C2009TA
					PART.NO	
					200900TA051	