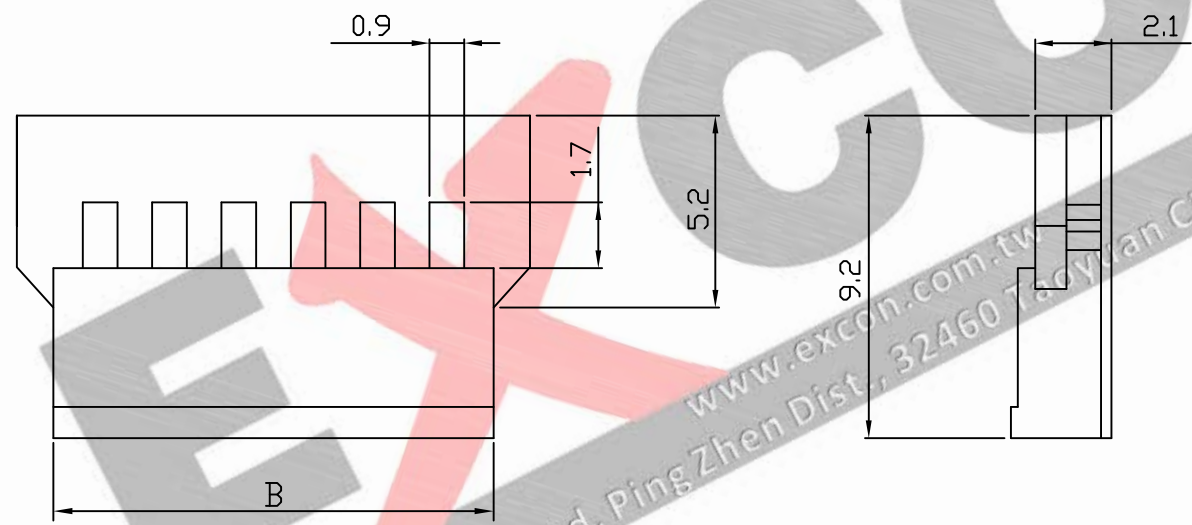
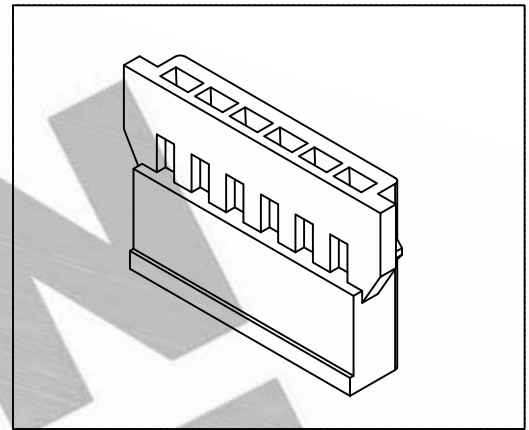
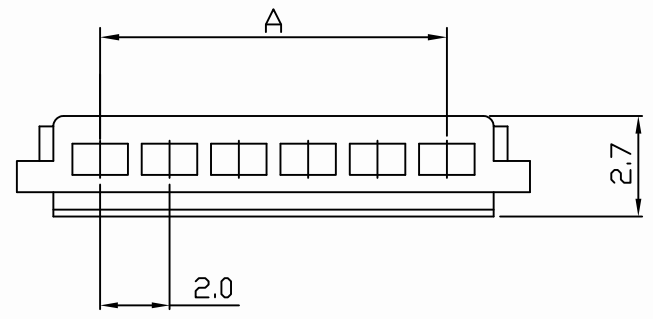


PART NO. 2009xxHM001  
 DWG NO. C2009HM



Dimensional & Ordering Information:

Part No.	Circuits	Dim A	Dim B
200902HM001	2	2.00	4.60
200903HM001	3	4.00	6.60
200904HM001	4	6.00	8.60
200905HM001	5	8.00	10.60
200906HM001	6	10.00	12.60
200907HM001	7	12.00	14.60
200908HM001	8	14.00	16.60
200909HM001	9	16.00	18.60
200910HM001	10	18.00	20.60

NOTE:

1. Housing Material: Nylon 66 UL94V0
2. Color: Natural
3. Insulation resistance: 1000MΩ min.
4. Withstand voltage: 800V AC/minute.
5. Current rating: 2A AC/DC.
6. Voltage rating: 250V AC/DC

				UNLESS OTHERWISE SPECIFIED TOLERANCES		
				3 PLACE ±0.5 ±0.10		
				2 PLACE ±1.5 ±0.35		
				1 PLACE ±2.0 ±0.50		<u>EXCON TECHNOLOGY COMPANY</u>
				ANGLE DIM		
REV.	REVISION			DIS	DATE	PART.NO
SCALE	REV.	PAGE:	UNIT	mm		
4/1	A	1	THIRD ANGLE PROJECTION			2009xxHM001
				DWG NO:		
				C2009HM		