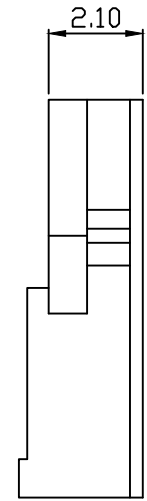
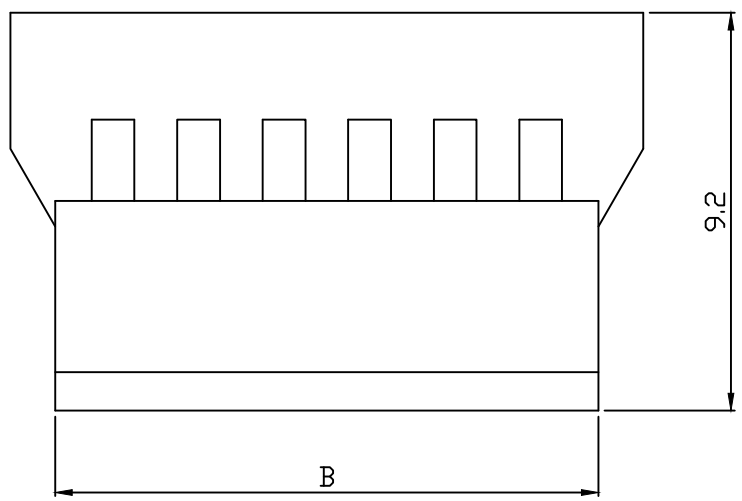
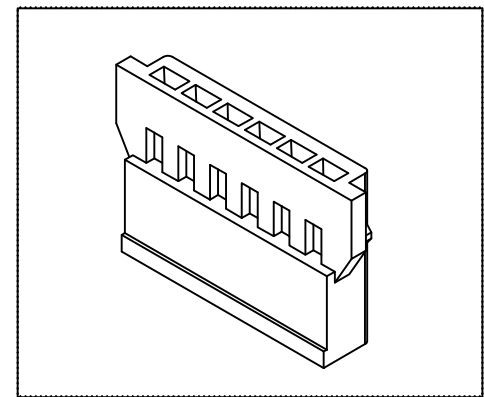
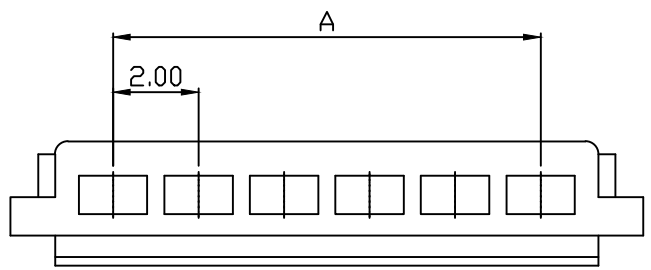


10 9 8 7 6 5 4 3 2 1

PART NO. 2009xxHM001
 DWG NO. C2009HM



Dimensional & Ordering Information:

| Part No. | Circuits | Dim A | Dim B |
|-------------|----------|-------|-------|
| 200902HM001 | 2 | 2.0 | 4.6 |
| 200903HM001 | 3 | 4.0 | 6.6 |
| 200904HM001 | 4 | 6.0 | 8.6 |
| 200905HM001 | 5 | 8.0 | 10.6 |
| 200906HM001 | 6 | 10.0 | 12.6 |
| 200907HM001 | 7 | 12.0 | 14.6 |
| 200908HM001 | 8 | 14.0 | 16.6 |
| 200909HM001 | 9 | 16.0 | 18.6 |
| 200910HM001 | 10 | 18.0 | 20.6 |

NOTE:

- Housing Material: Nylon 66 UL94V0
- Color: Natural
- Use Material: CM3004-V0
- Withstand voltage: 500V AC/minute.
- Current rating: 2A AC/DC.
- Voltage rating: 250V AC/DC

| | | | | | | |
|-------|----------|-------|------------------------|---------------------------------------|-------------|-------------------------------------|
| | | | | UNLESS OTHERWISE SPECIFIED TOLERANCES | | EXCON TECHNOLOGY COMPANY |
| | | | | 3 PLACE ±0.5 ±0.10 | | |
| | | | | 2 PLACE ±1.5 ±0.25 | | |
| | | | | 1 PLACE ±2.0 ±0.50 | | |
| | | | | ANGLE DIM | | |
| REV. | REVISION | | | DIS | DATE | |
| SCALE | REV. | PAGE: | UNIT | mm | | DWG NO: |
| NONE | B | 1 | THIRD ANGLE PROJECTION | | | C2009HM |
| | | | | | PART.NO | |
| | | | | | 2009xxHM001 | |

10 9 8 7 6 5 4 3 2 1