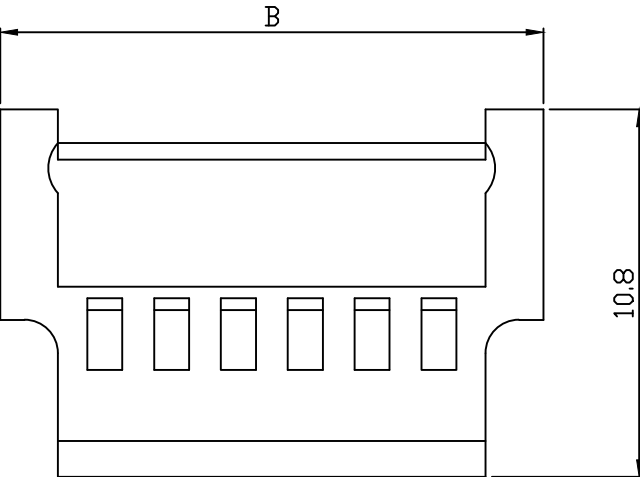
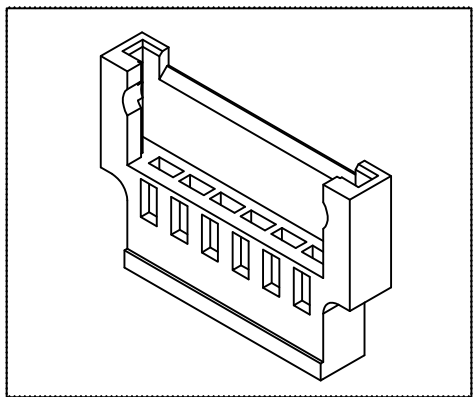
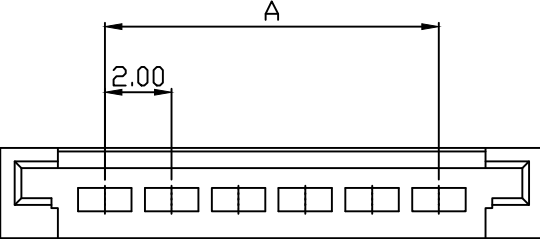


10 9 8 7 6 5 4 3 2 1

PART NO. 2009xxHF001
 DWG NO. C2009HF



Dimensional & Ordering Information:

Part No.	Circuits	Dim A	Dim B
200902HF001	2	2.0	8.0
200903HF001	3	4.0	10.0
200904HF001	4	6.0	12.0
200905HF001	5	8.0	14.0
200906HF001	6	10.0	16.0
200907HF001	7	12.0	18.0
200908HF001	8	14.0	20.0
200909HF001	9	18.0	22.0
200910HF001	10	18.0	24.0

NOTE:

- Housing Material: Nylon 66 UL94V0
- Color: Natural
- Use Material: CM3004-V0
- Withstand voltage: 500V AC/minute.
- Current rating: 2A AC/DC.
- Voltage rating: 250V AC/DC

				UNLESS OTHERWISE SPECIFIED TOLERANCES		 EXCON TECHNOLOGY COMPANY
				3 PLACE ±0.5 ±0.10		
				2 PLACE ±1.5 ±0.25		
				1 PLACE ±2.0 ±0.50		
				ANGLE DIM		
REV.	REVISION			DIS	DATE	
SCALE	REV.	PAGE	UNIT	mm		DWG NO:
NONE	B	1	THIRD ANGLE PROJECTION			C2009HF
					PART.NO	
					2009xxHF001	

10 9 8 7 6 5 4 3 2 1