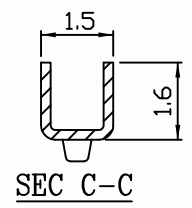
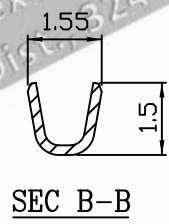
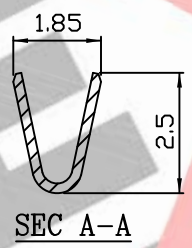
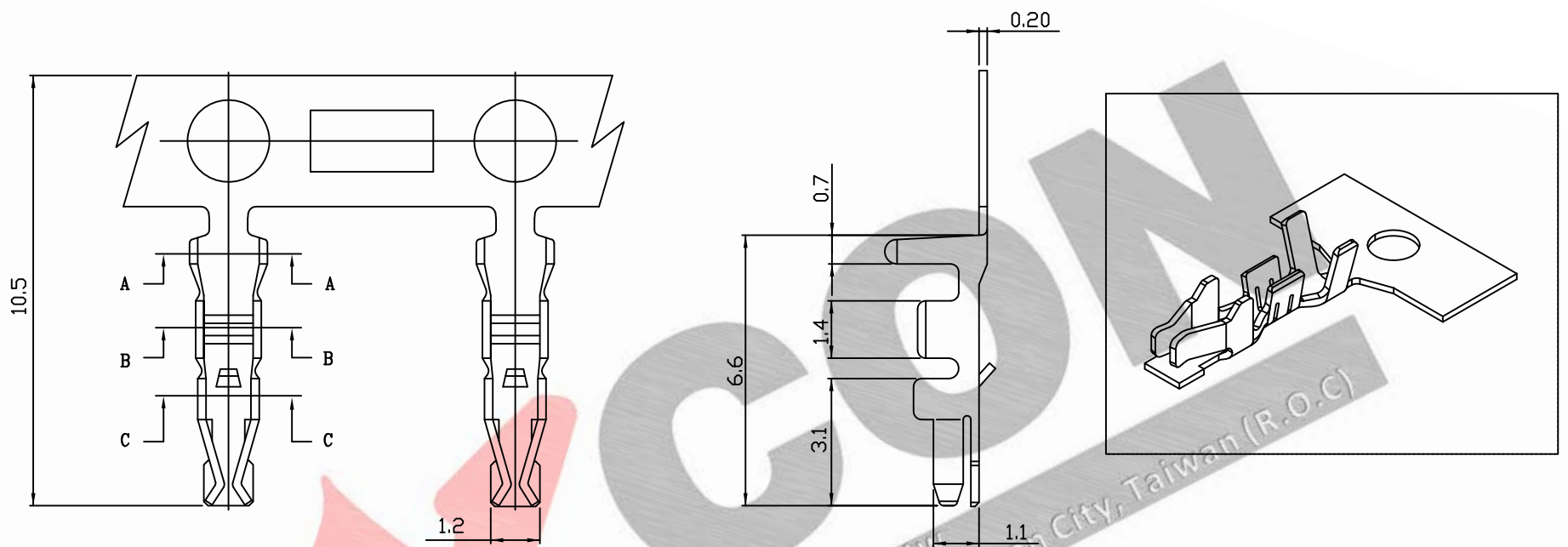


10 9 8 7 6 5 4 3 2 1

PART NO. 200800TC351
 DWG NO. C2008TC



- NOTE 1 :
1. Terminal Material: Phosphor bronze
 2. Plated: Ni 25u"min Tin-plated 50u"min.
 3. Applicable wires: AWG#28-#22
 4. Q'ty / reel: 10,000 pcs

				UNLESS OTHERWISE SPECIFIED TOLERANCES		 EXCON TECHNOLOGY COMPANY
				3 PLACE ±0.5 ±0.10		
				2 PLACE ±1.5 ±0.35		
				1 PLACE ±2.0 ±0.50		
REV.	REVISIONI			DIS	DATE	
SCALE	REV.	PAGE:	UNIT	mm		DWG NO:
4/1	A	1	THIRD ANGLE PROJECTION			C2008TC
					PART.NO	
					200800TC351	

10 9 8 7 6 5 4 3 2 1

F
E
D
C
B
A

F
E
D
C
B
A