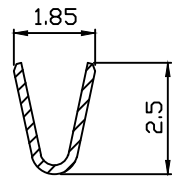
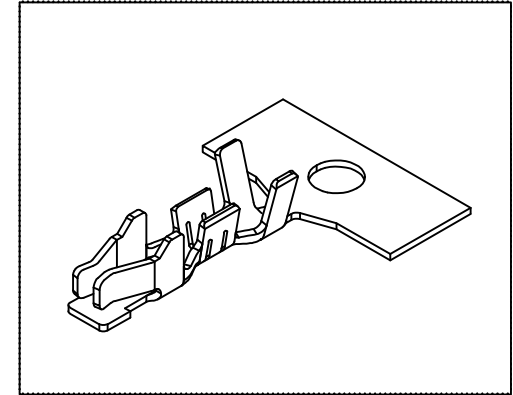
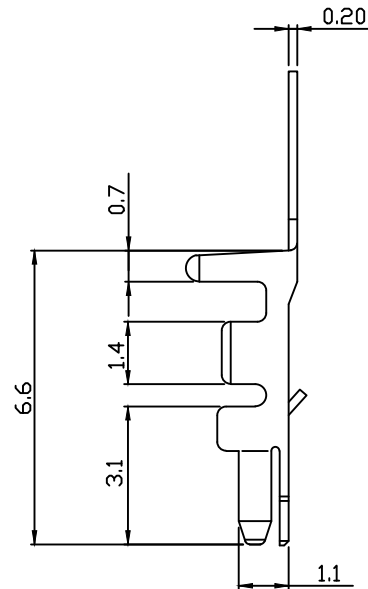
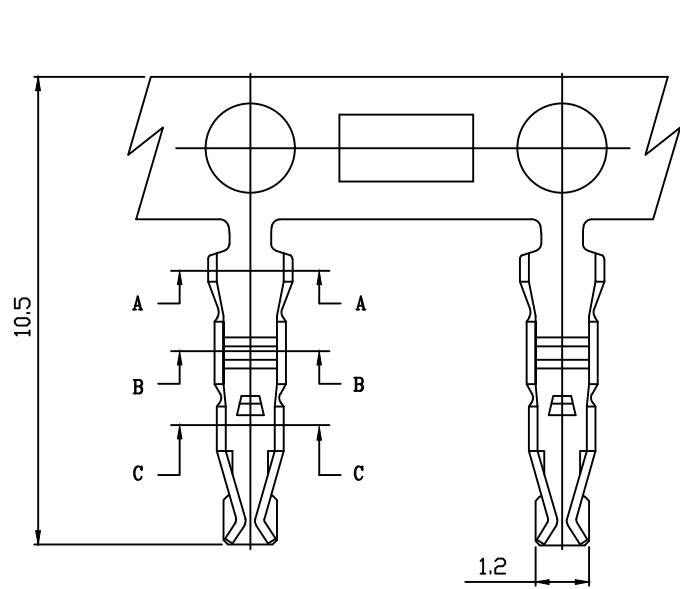
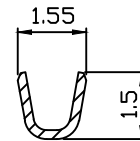


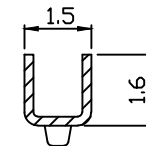
PART NO. 200800TC351
 DWG NO. C2008TC



SEC A-A



SEC B-B



SEC C-C

NOTE 1 :

1. Terminal Material: Phosphor bronze
2. Plated: Ni 25u"min Tin-plated 50u"min.
3. Applicable wires: AWG#28-#22
4. Q'ty / reel: 10,000 pcs

				UNLESS OTHERWISE SPECIFIED TOLERANCES		 EXCON TECHNOLOGY COMPANY
				3 PLACE ±0.5 ±0.10		
				2 PLACE ±1.5 ±0.35		PART.NO
				1 PLACE ±2.0 ±0.50		
				ANGLE DIM		200800TC351
REV.	REVISIONI		DIS	DATE	DWG NO:	
SCALE	REV.	PAGE:	UNIT	m m	C2008TC	
4/1	A	1	THIRD ANGLE PROJECTION		200800TC351	