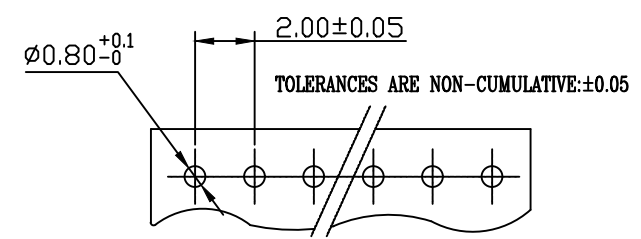
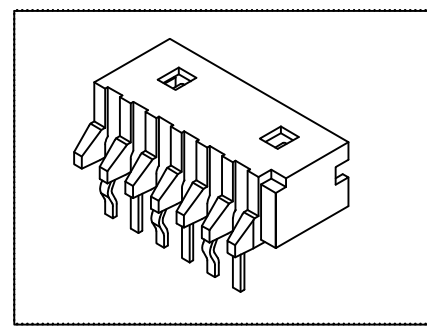
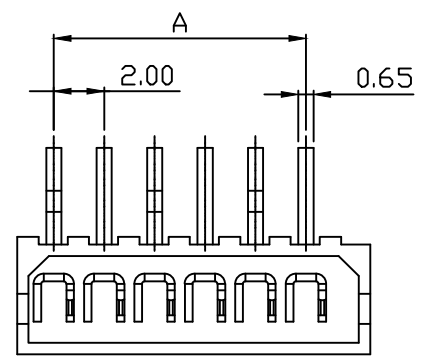
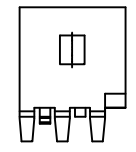
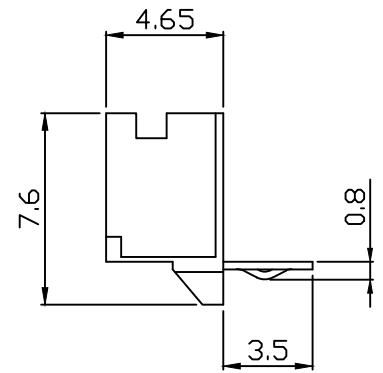
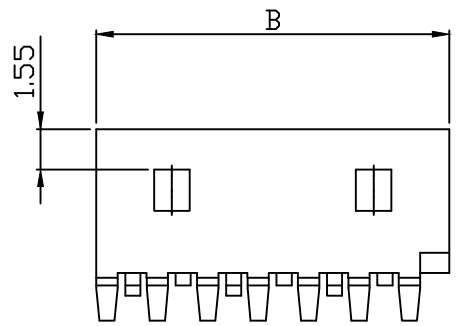


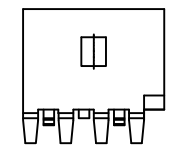
PART NO. 2007xxWR001
 DWG NO. C2007WR



RECOMMENDED PCB LAYOUT
 (PCB THK=1.0~1.6)



2 Circuits



3 Circuits

Dimensional & Ordering Information:

Part No.	Circuits	Dim A	Dim B
200702WR001	2	2.0	6.0
200703WR001	3	4.0	8.0
200704WR001	4	6.0	10.0
200705WR001	5	8.0	12.0
200706WR001	6	10.0	14.0
200707WR001	7	12.0	16.0
200708WR001	8	14.0	18.0
200709WR001	9	16.0	20.0
200710WR001	10	18.0	22.0
200711WR001	11	20.0	24.0
200712WR001	12	22.0	26.0
200713WR001	13	24.0	28.0
200714WR001	14	26.0	30.0
200715WR001	15	28.0	32.0

4~15 Circuits

NOTE:

- Housing Material: Nylon 66 UL94V0
Pin/Pos Material: brass bronze.
- Plated: Tin-plated 50u"min.
- Insulation resistance: 1000MΩ min.
- Withstand voltage: 800V AC/minute.
- Current rating: 2A AC/DC.
- Voltage rating: 250V AC/DC

REV.	REVISION	DIS	DATE

UNLESS OTHERWISE SPECIFIED TOLERANCES
 3 PLACE ±0.5 ±0.10
 2 PLACE ±1.5 ±0.35
 1 PLACE ±2.0 ±0.50
 ANGLE DIM



SCALE	REV.	PAGE:	UNIT	mm	DWG NO:	PART.NO
4/1	A	1/1	THIRD ANGLE PROJECTION		C2007WR	2007xxWR001