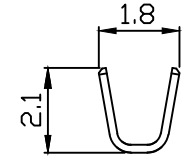
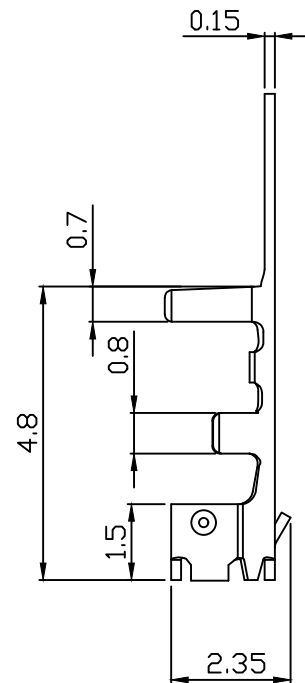
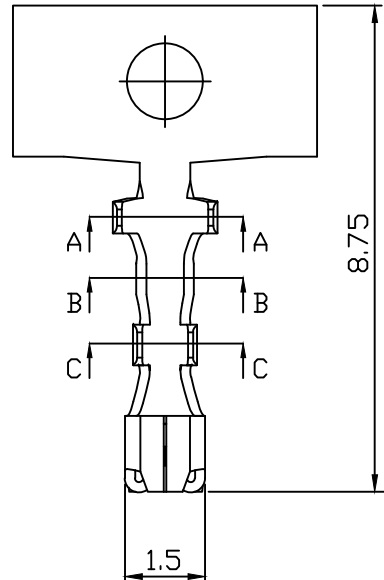
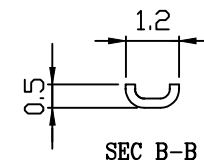


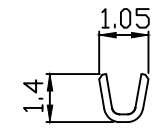
PART NO. 200700TC351  
 DWG NO. C2007TC



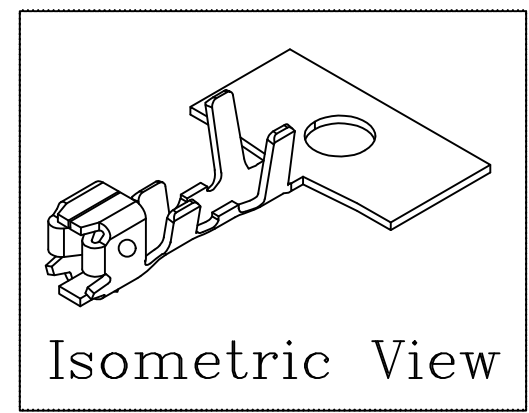
SEC A-A



SEC B-B



SEC C-C



Isometric View

NOTE:

1. Terminal Material: Phosphor bronze
- △ 2. Plated: Ni 25u"min Tin pre-plated 50u"min.
- △ 3. Current rating: 2A AC/DC
- △ 4. Voltage rating: 250V AC/DC
- △ 5. Withstand voltage: 800V AC/minute
- △ 6. Insulation resistance: 1000MΩ min
7. Applicable wires: AWG#28-#24
8. Insulation O.D.: 0.9~1.5mm
9. Q'ty / reel: 10,000pcs

REV.	REVISION		DIS	DATE
B	NOTE: 修改 第 2 項 Tin-Plated → Tin pre-Plated 新增 第 3、4、5、6 項		christy	5/28 2015
SCALE	REV.	PAGE:	UNIT mm	
4/1	B	1/1	THIRD ANGLE PROJECTION	

UNLESS OTHERWISE SPECIFIED TOLERANCES  
 3 PLACE ±0.5 ±0.10  
 2 PLACE ±1.5 ±0.25  
 1 PLACE ±2.0 ±0.50  
 ANGLE DIM



DWG NO:		PART.NO	
C2007TC		200700TC351	