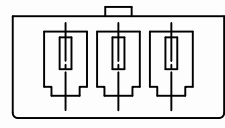
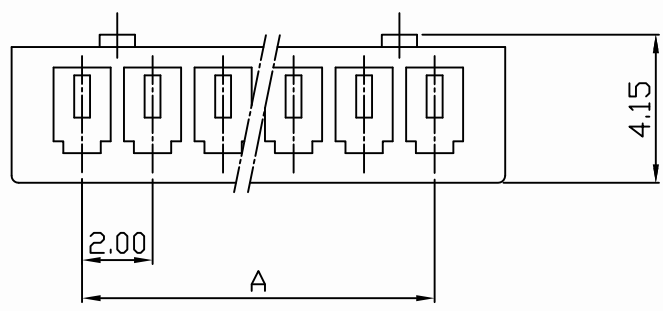
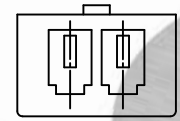


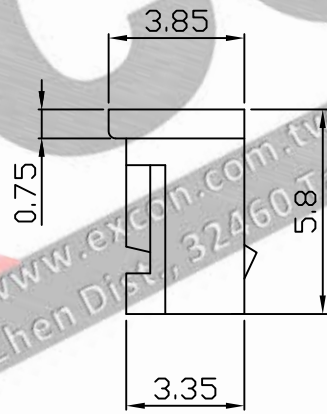
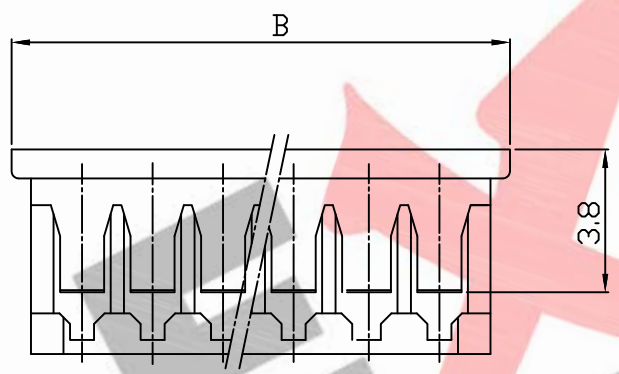
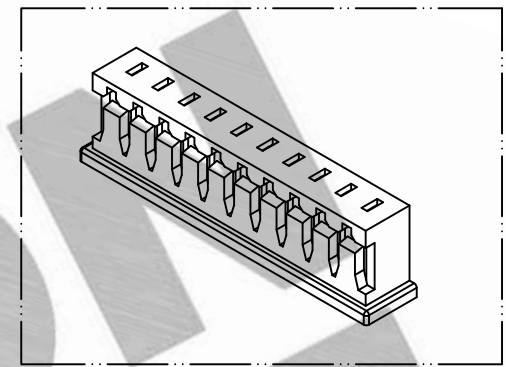
PART NO. 2007xxHA001
 DWG NO. C2007HA



2 Circuits



2 Circuits



Dimensional & Ordering Information:

Part No.	Circuits	Dim A	Dim B
200702HA001	2	2.0	6.0
200703HA001	3	4.0	8.0
200704HA001	4	6.0	10.0
200705HA001	5	8.0	12.0
200706HA001	6	10.0	14.0
200707HA001	7	12.0	16.0
200708HA001	8	14.0	18.0
200709HA001	9	16.0	20.0
200710HA001	10	18.0	22.0
200711HA001	11	20.0	24.0
200712HA001	12	22.0	26.0
200713HA001	13	24.0	28.0
200714HA001	14	26.0	30.0
200715HA001	15	28.0	32.0

NOTE:

1. Housing Material: Nylon 66 UL94V0
2. Color: Natural
2. Insulation resistance: 1000MΩ min.
3. Withstand voltage: 800V AC/minute.
4. Current rating: 2A AC/DC.
5. Voltage rating: 250V AC/DC

REV.				REVISION		DIS	DATE	UNLESS OTHERWISE SPECIFIED TOLERANCES 3 PLACE ±0.5 ±0.10 2 PLACE ±1.5 ±0.25 1 PLACE ±2.0 ±0.50 ANGLE DIM
SCALE	REV.	PAGE:	UNIT	mm		DWG NO:		
4/1	A	1/1	THIRD ANGLE PROJECTION			C2007HA		

EXCON
 EXCON TECHNOLOGY COMPANY

PART.NO
 2007xxHA001