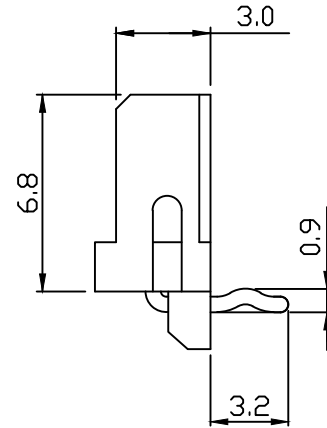
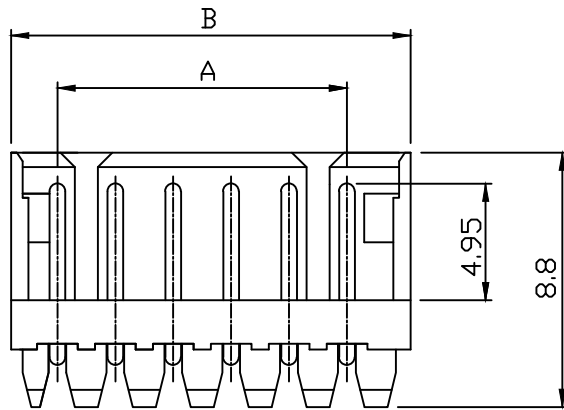
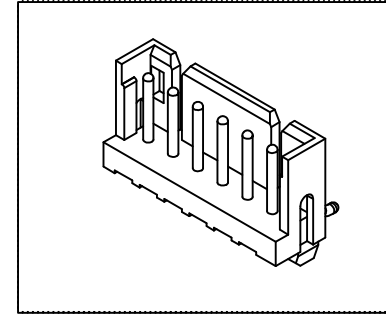
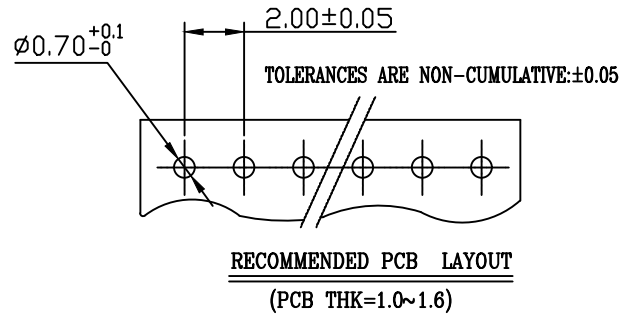
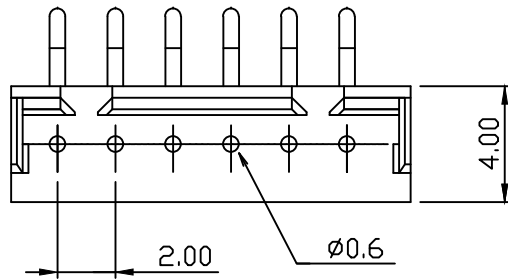


PART NO. 2006xxWR001
 DWG NO. C2006WR



Dimensional & Ordering Information:

Part No.	Circuits	Dim A	Dim B
200602WR001	2	2.0	6.0
200603WR001	3	4.0	8.0
200604WR001	4	6.0	10.0
200605WR001	5	8.0	12.0
200606WR001	6	10.0	14.0
200607WR001	7	12.0	16.0
200608WR001	8	14.0	18.0
200609WR001	9	16.0	20.0
200610WR001	10	18.0	22.0
200611WR001	11	20.0	24.0
200612WR001	12	22.0	26.0
200613WR001	13	24.0	28.0
200614WR001	14	26.0	30.0
200615WR001	15	28.0	32.0
200616WR001	16	30.0	34.0

NOTE:

1. Wafer Material: Nylon 66 UL94V-0
Pin/Pos Material: brass bronze.
2. Plated: Tin-plated 50u"min.
3. Insulation resistance: 1000MΩ min.
4. Withstand voltage: 800V AC/minute.
5. Current rating: 3A AC/DC.
6. Voltage rating: 250V AC/DC

REV.	REVISION	DIS	DATE
SCALE	REV.	PAGE:	UNIT
4/1	A	1	mm

UNLESS OTHERWISE SPECIFIED TOLERANCES
 3 PLACE ±0.5 ±0.10
 2 PLACE ±1.5 ±0.35
 1 PLACE ±2.0 ±0.50
 ANGLE DIM

EXCON
 EXCON TECHNOLOGY COMPANY

DWG NO:	C2006WR	PART.NO	2006xxWR001
---------	---------	---------	-------------