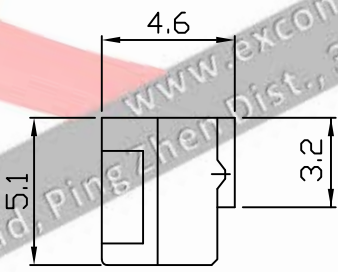
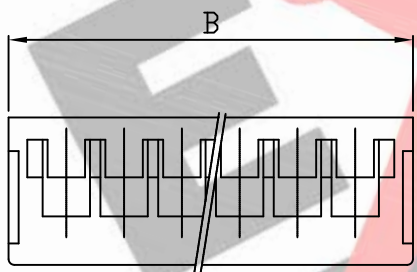
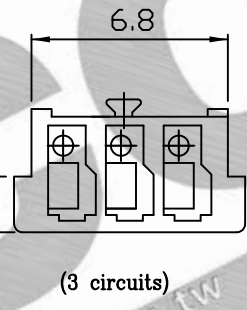
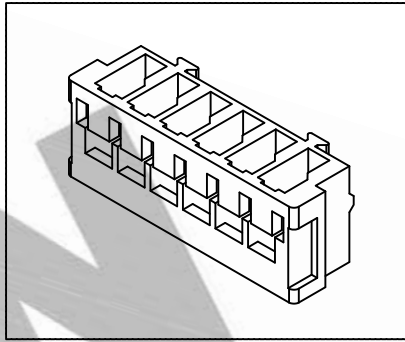
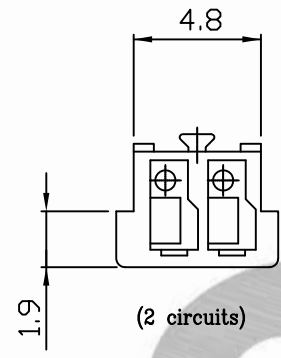
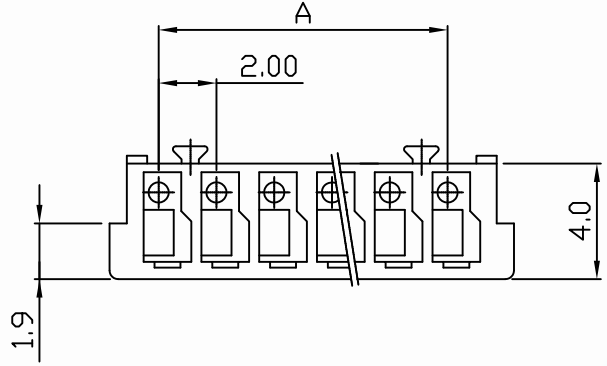


PART NO. 2006xxHA001  
 DWG NO. C2006HA



Dimensional & Ordering Information:

Part No.	Circuits	Dim A	Dim B
200602HA001	2	2.0	6.0
200603HA001	3	4.0	8.0
200604HA001	4	6.0	10.0
200605HA001	5	8.0	12.0
200606HA001	6	10.0	14.0
200607HA001	7	12.0	16.0
200608HA001	8	14.0	18.0
200609HA001	9	16.0	20.0
200610HA001	10	18.0	22.0
200611HA001	11	20.0	24.0
200612HA001	12	22.0	26.0
200613HA001	13	24.0	28.0
200614HA001	14	26.0	30.0
200615HA001	15	28.0	32.0
200616HA001	16	30.0	34.0

NOTE:

1. Housing Material: Nylon 66 UL94V0
2. Color: Natural
3. Insulation resistance: 1000MΩ min.
4. Withstand voltage: 800V AC/minute.
5. Current rating: 3A AC/DC.
6. Voltage rating: 250V AC/DC

UNLESS OTHERWISE SPECIFIED TOLERANCES			
3 PLACE ±0.5 ±0.10			
2 PLACE ±1.5 ±0.35			
1 PLACE ±2.0 ±0.50			
ANGLE DIM			
REV.	REVISION		DIS DATE
SCALE	REV.	PAGE:	UNIT mm
5/1	A	1	THIRD ANGLE PROJECTION
DWG NO:			C2006HA

**EXCON**

**EXCON TECHNOLOGY COMPANY**

---

PART.NO

2006xxHA001