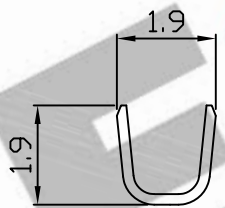
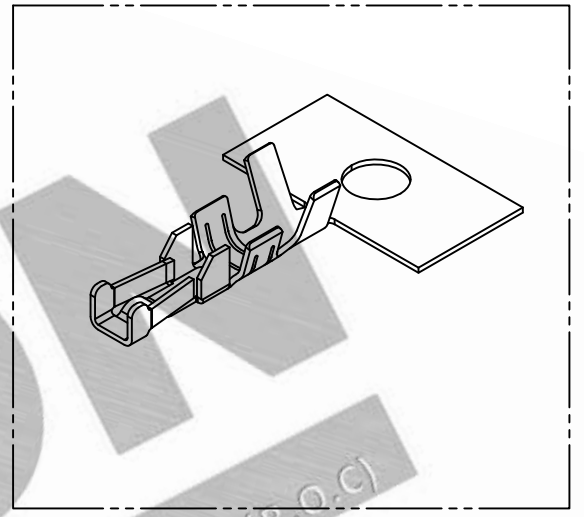
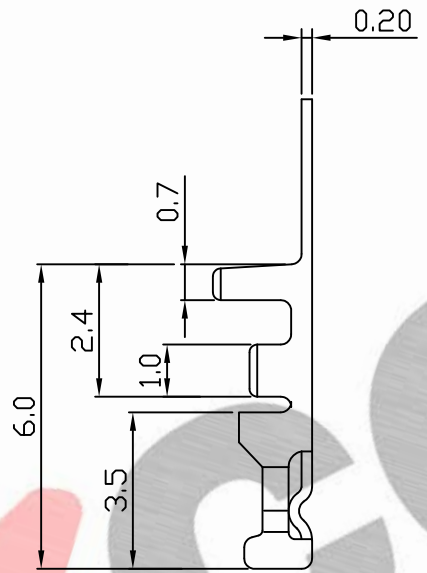
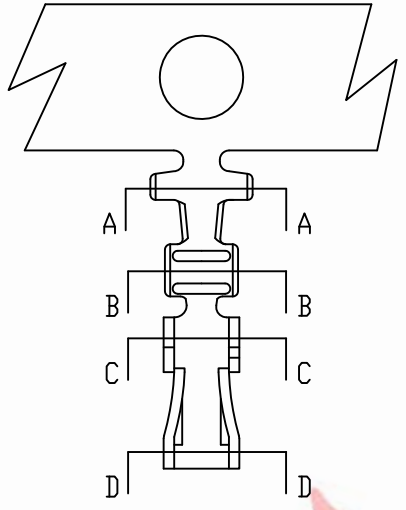
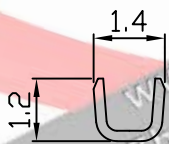


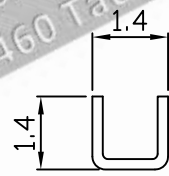
PART NO. 200500TC501
 DWG NO. C2005TC



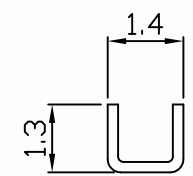
SEC A-A



SEC B-B



SEC C-C



SEC D-D

NOTE:

1. Terminal Material: phosphor bronze.
2. Platd: Gold-flash.
3. Applicable wires: AWG #30-#26
4. Insulation O.D.: 0.9-1.3mm
5. Q'ty / reel: 20,000 pcs

				UNLESS OTHERWISE SPECIFIED TOLERANCES	
				3 PLACE ±0.5 ±0.10	
				2 PLACE ±1.5 ±0.25	
				1 PLACE ±2.0 ±0.50	
				ANGLE DIM	
REV.	REVISIONI			DIS	DATE
SCALE	REV.	PAGE:	UNIT	mm	
4/1	A	1	THIRD ANGLE PROJECTION		
				DWG NO:	
				C2005TC	

EXCON

EXCON TECHNOLOGY COMPANY

PART.NO

200500TC501