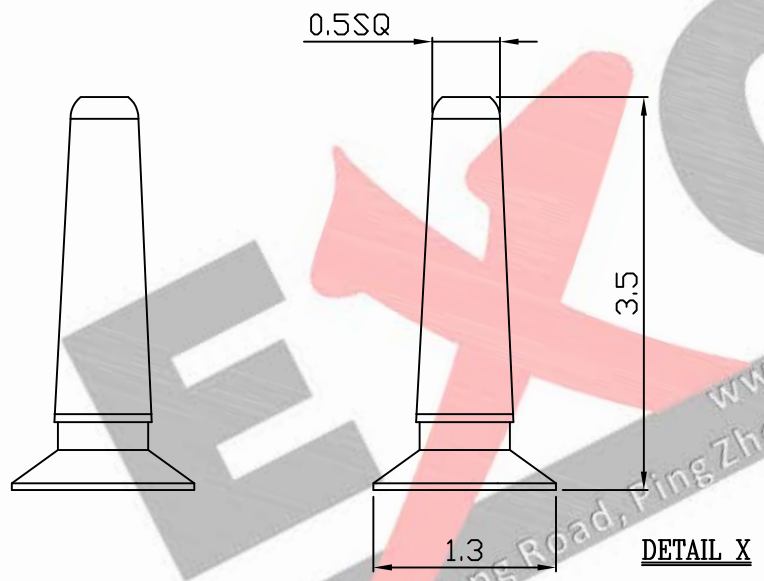
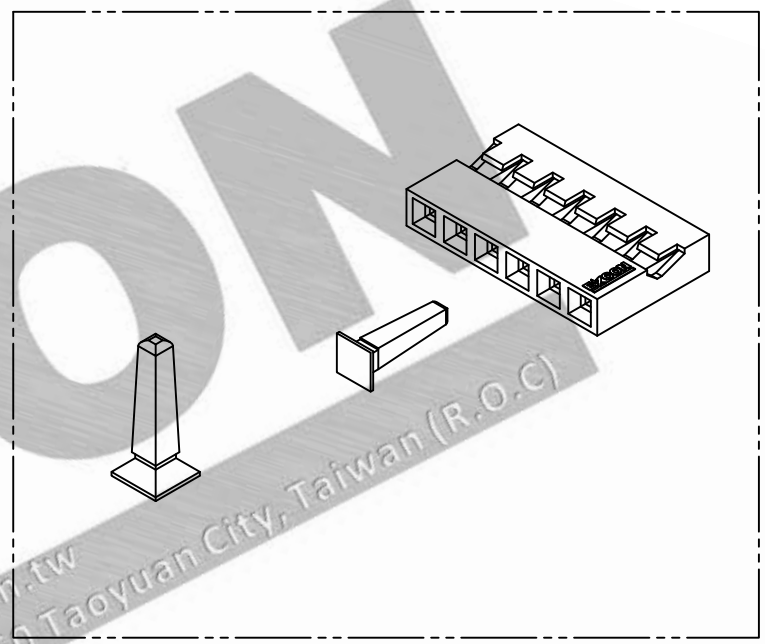
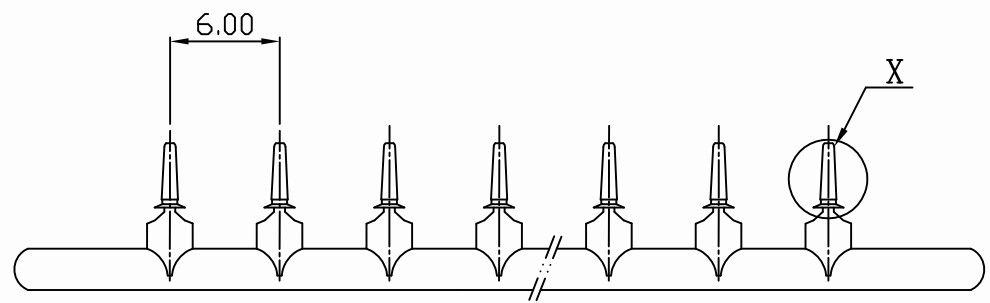


10 9 8 7 6 5 4 3 2 1

PART NO. 200400HK2xx  
 DWG NO. C2004HK



NOTE:  
 1. Stopple Material: P.B.T.  
 2. Used for 2004xxHA003 series Housing  
 3. Color: black ,white

Part No.	Color
200400HK201	White
200400HK203	Black

				UNLESS OTHERWISE SPECIFIED TOLERANCES	
				3 PLACE ±0.5 ±0.10	
				2 PLACE ±1.5 ±0.25	
				1 PLACE ±2.0 ±0.50	
				ANGLE DIM	
REV.	REVISION		DIS	DATE	
SCALE	REV.	PAGE:	UNIT	mm	
4/1	A	1	THIRD ANGLE PROJECTION		
				DWG NO:	
				C2004HK	

**EXCON**

EXCON TECHNOLOGY COMPANY

---

PART.NO

200400HK2xx

F  
E  
D  
C  
B  
A

F  
E  
D  
C  
B  
A

10 9 8 7 6 5 4 3 2 1