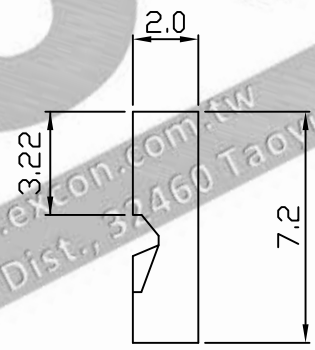
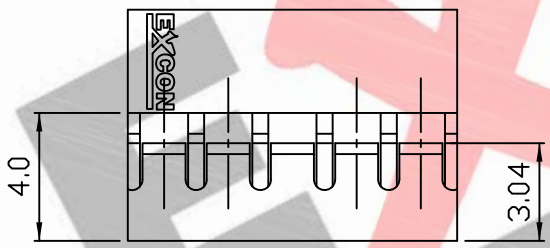
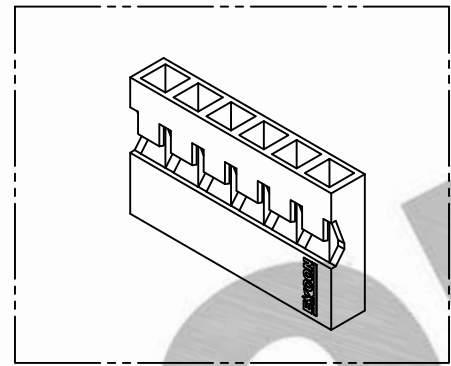
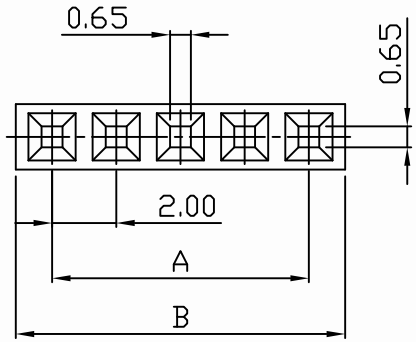


PART NO. 2004xxHA003  
 DWG NO. C2004HA



Dimensional & Ordering Information:

Part No.	Circuits	Dim A	Dim B
200401HA003	1	--	2.26
200402HA003	2	2.00	4.26
200403HA003	3	4.00	6.26
200404HA003	4	6.00	8.26
200405HA003	5	8.00	10.26
200406HA003	6	10.00	12.26
200407HA003	7	12.00	14.26
200408HA003	8	14.00	16.26
200409HA003	9	16.00	18.26
200410HA003	10	18.00	20.26
200411HA003	11	20.00	22.26
200412HA003	12	22.00	24.26
200413HA003	13	24.00	26.26
200414HA003	14	26.00	28.26
200415HA003	15	28.00	30.26
200416HA003	16	30.00	32.26
200417HA003	17	32.00	34.26
200418HA003	18	34.00	36.26
200419HA003	19	36.00	38.26
200420HA003	20	38.00	40.26

NOTE:

1. Housing Material: Ny 66 UL 94-V0
2. Insulation resistance: 1000MΩ min.
3. Withstand voltage: 1000V AC/minute.
4. Current rating: 2.5A AC/DC.
5. Voltage rating: 200V AC/DC
6. Color: Black

				UNLESS OTHERWISE SPECIFIED TOLERANCES	
				3 PLACE ±0.5 ±0.10	
				2 PLACE ±1.5 ±0.25	
				1 PLACE ±2.0 ±0.50	
				ANGLE DIM	
REV.	REVISION			DIS	DATE
SCALE	REV.	PAGE:	UNIT	mm	
4/1	A	1	THIRD ANGLE PROJECTION		

**EXCON**  
 EXCON TECHNOLOGY COMPANY

PART.NO  
 2004xxHA003