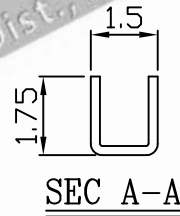
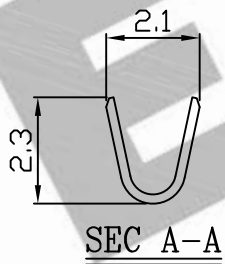
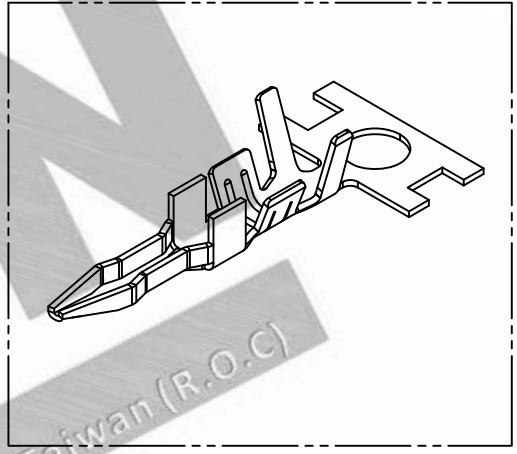
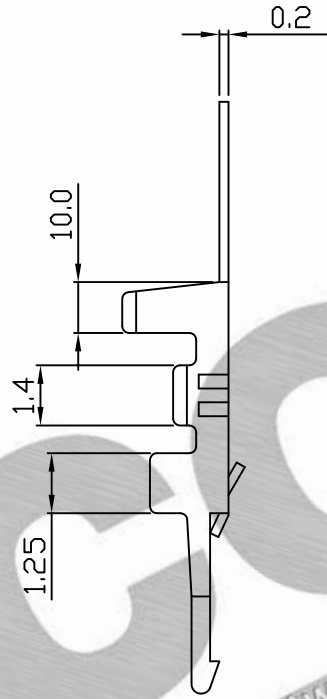
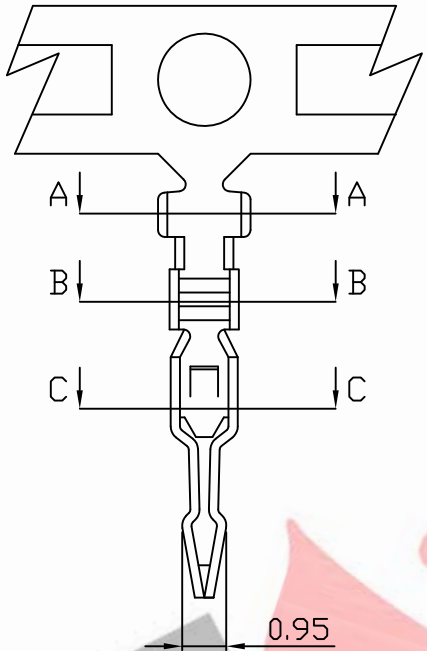


PART NO. 200200TVxxx  
 DWG NO. C2002TV



NOTE:

1. Terminal Material: Phosphor or Brass bronze
2. Plating: Pre-stampt , Tin-plated
3. Applicable wires: AWG#30-#24
4. Insulation O.D.: 0.9-1.4mm
5. Q'ty / reel: 10,000 pcs

| Part No.    | Material | Finishing      |
|-------------|----------|----------------|
| 200200TV001 | Brass    | Tin plated     |
| 200200TV051 |          | Tin Pre-plated |
| 200200TV301 | Phosphor | Tin plated     |
| 200200TV351 |          | Tin Pre-plated |

UNLESS OTHERWISE SPECIFIED TOLERANCES  
 3 PLACE ±0.5 ±0.10  
 2 PLACE ±1.5 ±0.35  
 1 PLACE ±2.0 ±0.50  
 ANGLE DIM



| REV. | REVISIONI | DIS | DATE |
|------|-----------|-----|------|
| 5/1  | A         | 1   |      |

| SCALE | REV. | PAGE: | UNIT                   | MM |
|-------|------|-------|------------------------|----|
| 5/1   | A    | 1     | THIRD ANGLE PROJECTION |    |

| DWG NO: | PART.NO     |
|---------|-------------|
| C2002TV | 200200TVxxx |