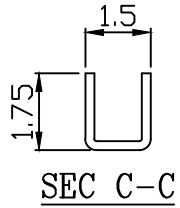
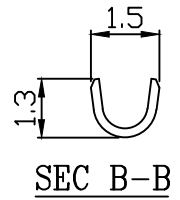
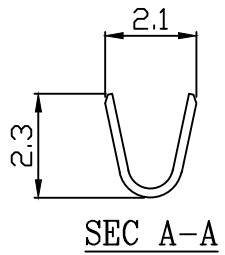
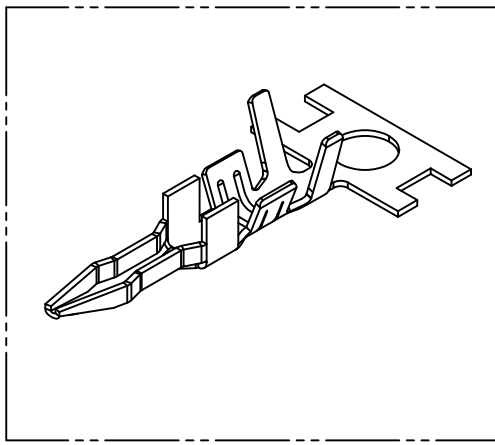
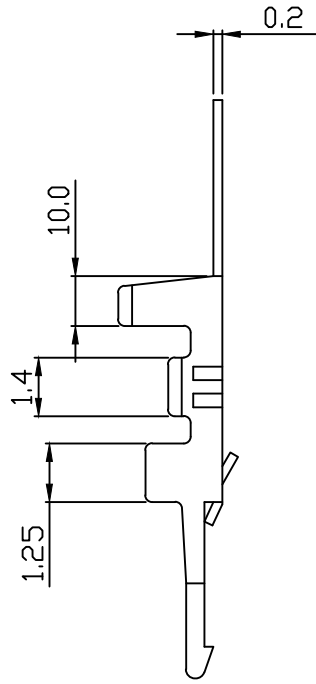
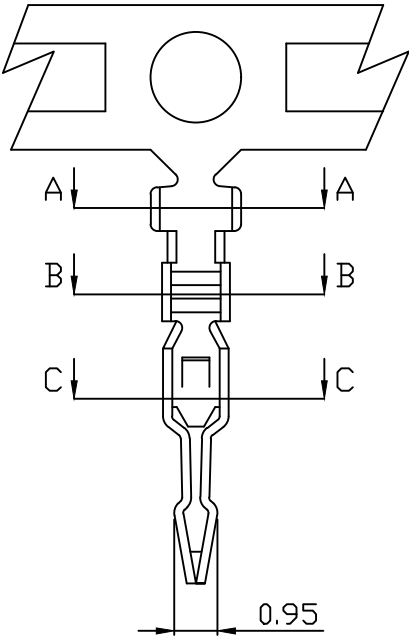


10 9 8 7 6 5 4 3 2 1

PART NO. 200200TV001  
 DWG NO. C2002TV



NOTE:

1. Terminal Material: Phosphor or Brass bronze
2. Plating: Pre-stampt , Tin-plated
3. Applicable wires: AWG#30-#24
4. Insulation O.D.: 0.9-1.4mm
5. Q'ty / reel: 10,000 pcs

Part No.	Material	Finishing
200200TV001	Brass	Tin plated
200200TV051		Tin Pre-plated
200200TV301	Phosphor	Tin plated
200200TV351		Tin Pre-plated

UNLESS OTHERWISE SPECIFIED TOLERANCES  
 3 PLACE ±0.5 ±0.10  
 2 PLACE ±1.5 ±0.35  
 1 PLACE ±2.0 ±0.50  
 ANGLE DIM



REV.	REVISION	DIS	DATE
SCALE	REV.	PAGE:	UNIT
5/1	A	1	THIRD ANGLE PROJECTION

DWG NO:	PART.NO
C2002TV	200200TV001

10 9 8 7 6 5 4 3 2 1