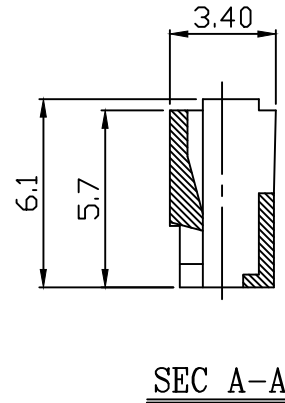
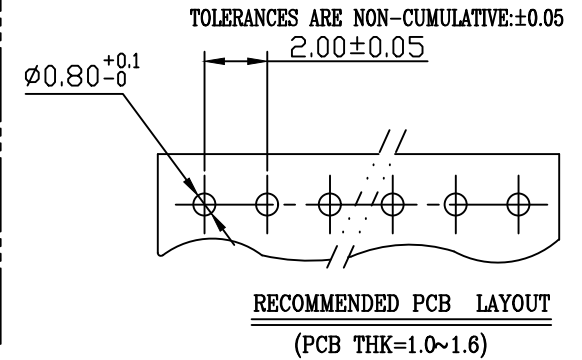
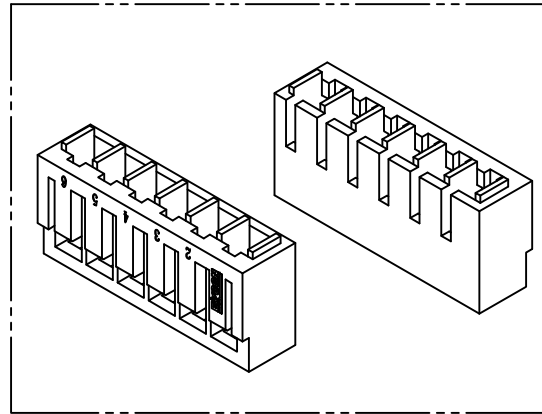
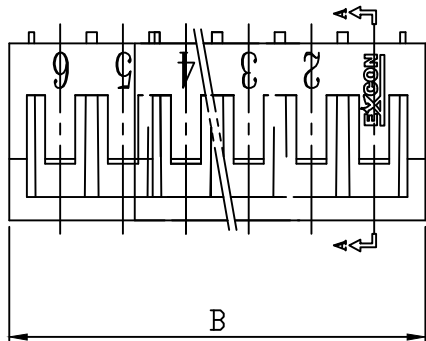
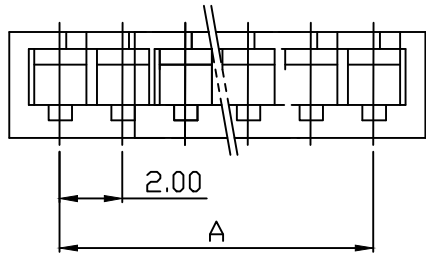
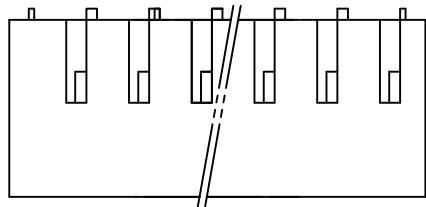


PART NO. 2002xxHR001
 DWG NO. C2002HR



Dimensional & Ordering Information:

Part No.	Circuits	Dim A	Dim B
200202HR001	2	2.00	5.20
200203HR001	3	4.00	7.20
200204HR001	4	6.00	9.20
200205HR001	5	8.00	11.20
200206HR001	6	10.00	13.20
200207HR001	7	12.00	15.20
200208HR001	8	14.00	17.20
200209HR001	9	16.00	19.20
200210HR001	10	18.00	21.20
200211HR001	11	20.00	23.20
200212HR001	12	22.00	25.20
200213HR001	13	24.00	27.20
200214HR001	14	26.00	29.20
200215HR001	15	28.00	31.20
200216HR001	16	30.00	33.20

NOTE:

- Housing Material: Nylon 66 UL94V-0
- Insulation resistance: 1000MΩ min.
- Withstand voltage: 800V AC/minute.
- Current rating: 1A AC/DC.
- Voltage rating: 100V AC/DC

REV.	REVISION	DIS	DATE
SCALE	REV.	PAGE:	UNIT
5/1	A	1	mm

UNLESS OTHERWISE SPECIFIED TOLERANCES
 3 PLACE ±0.5 ±0.10
 2 PLACE ±1.5 ±0.35
 1 PLACE ±2.0 ±0.50
 ANGLE DIM

EXCON
 EXCON TECHNOLOGY COMPANY

SCALE	REV.	PAGE:	UNIT	DWG NO:
5/1	A	1	mm	C2002HR

DWG NO: C2002HR

PART.NO: 2002xxHR001