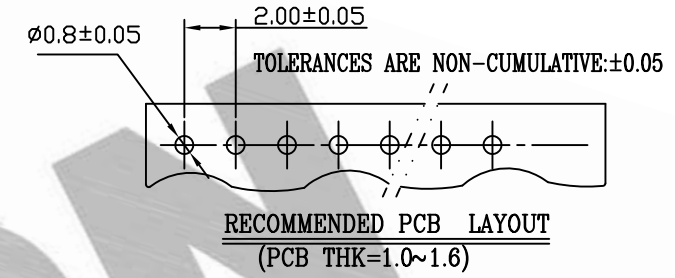
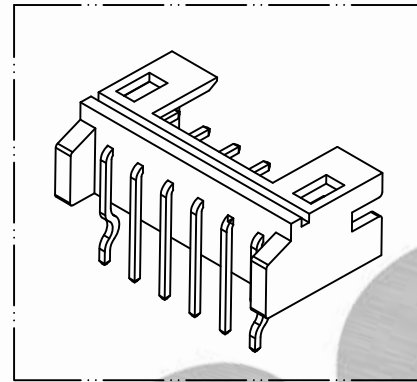
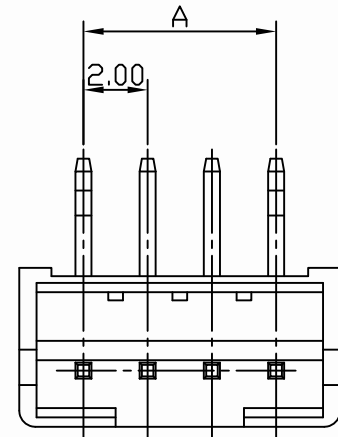
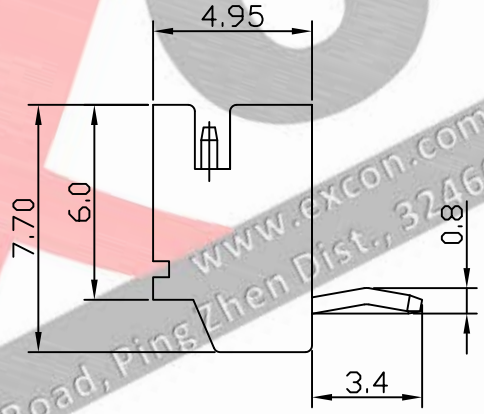
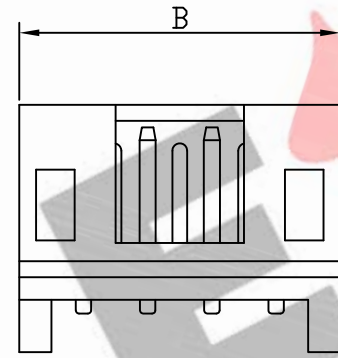


PART NO. 2001xxWR001  
 DWG NO. C2001WR



Dimensional and Ordering Information:

Part No.	POS.	A	B
200102WR001	2P	2.0	6.0
200103WR001	3P	4.0	8.0
200104WR001	4P	6.0	10.0
200105WR001	5P	8.0	12.0
200106WR001	6P	10.0	14.0
200107WR001	7P	12.0	16.0
200108WR001	8P	14.0	18.0
200109WR001	9P	16.0	20.0
200110WR001	10P	18.0	22.0
200111WR001	11P	20.0	24.0
200112WR001	12P	22.0	26.0
200113WR001	13P	24.0	28.0
200114WR001	14P	26.0	30.0
200115WR001	15P	28.0	32.0
200116WR001	16P	30.0	34.0



NOTE:

1. Wafer Material: Nylon 66 UL94V-0  
Pin/Pos Material: brass bronze.
2. Plated: Tin-plated 50u"min.
3. Insulation resistance: 1000M ohm/min.
4. Withstand voltage: 800V AC/minute.
5. Current retang: 3A AC/DC.
6. Voltage rating: 100V AC/DC

				UNLESS OTHERWISE SPECIFIED TOLERANCES	
				3 PLACE ±0.5 ±0.10	
				2 PLACE ±1.5 ±0.35	
				1 PLACE ±2.0 ±0.50	
				ANGLE DIM	
REV.	REVISIONI			DIS	DATE
SCALE	REV.	PAGE:	UNIT	mm	
5/1	A	1	THIRD ANGLE PROJECTION		

EXCON  
 EXCON TECHNOLOGY COMPANY  
 PART.NO 2001xxWR001