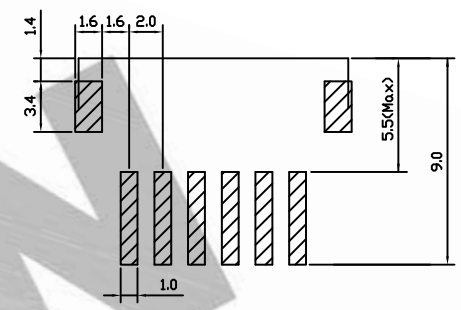
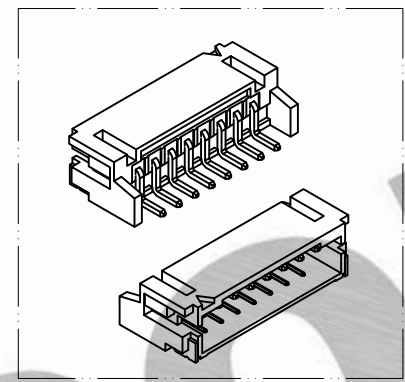
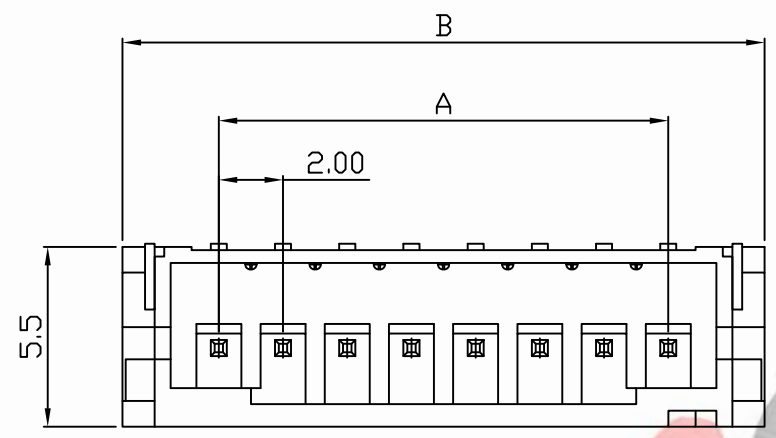
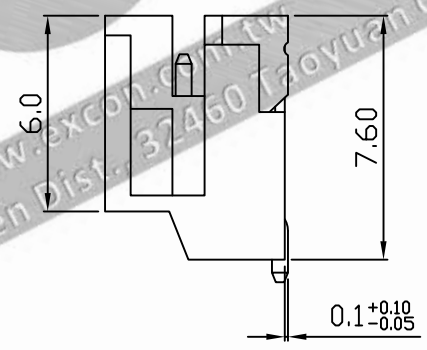
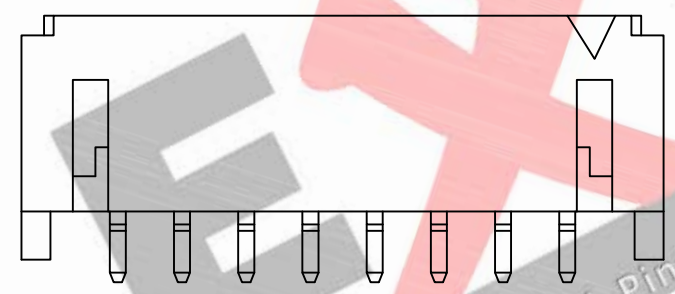


PART NO. 2001xxWE101
 DWG NO. C2001WE



RECOMMENDED PCB LAYOUT



Dimensional & Ordering Information:

Part No.	Circuits	Dim A	Dim B
200102WE101	2	2.0	7.95
200103WE101	3	4.0	9.95
200104WE101	4	6.0	11.95
200105WE101	5	8.0	13.95
200106WE101	6	10.0	15.95
200107WE101	7	12.0	17.95
200108WE101	8	14.0	19.95
200109WE101	9	16.0	21.95
200110WE101	10	18.0	23.95
200111WE101	11	20.0	25.95
200112WE101	12	22.0	27.95
200113WE101	13	24.0	29.95
200114WE101	14	26.0	31.95
200115WE101	15	28.0	33.95
200116WE101	16	30.0	35.95

NOTE:

1. Wafer Material: Nylon 6T UL94V-0
Pin/Pos Material:
2. Plated: Tin-plated 50u"min.
3. Current rating: 3A AC/DC.
4. Voltage rating: 250V AC/DC
5. Withstand voltage: 800V AC/minute.
6. Insulation resistance: 1000M min.
7. Color : Natural

				UNLESS OTHERWISE SPECIFIED TOLERANCES	
				3 PLACE ±0.5 ±0.10	
				2 PLACE ±1.5 ±0.35	
				1 PLACE ±2.0 ±0.50	
				ANGLE DIM	
REV.	REVISION		DIS	DATE	
SCALE	REV.	PAGE:	UNIT	mm	
4/1	A	1	THIRD ANGLE PROJECTION		
				DWG NO:	
				C2001WE	

EXCON

EXCON TECHNOLOGY COMPANY

PART.NO

2001xxWE101