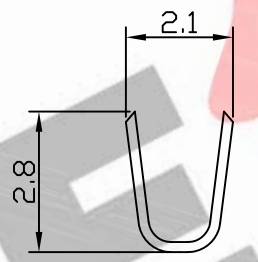
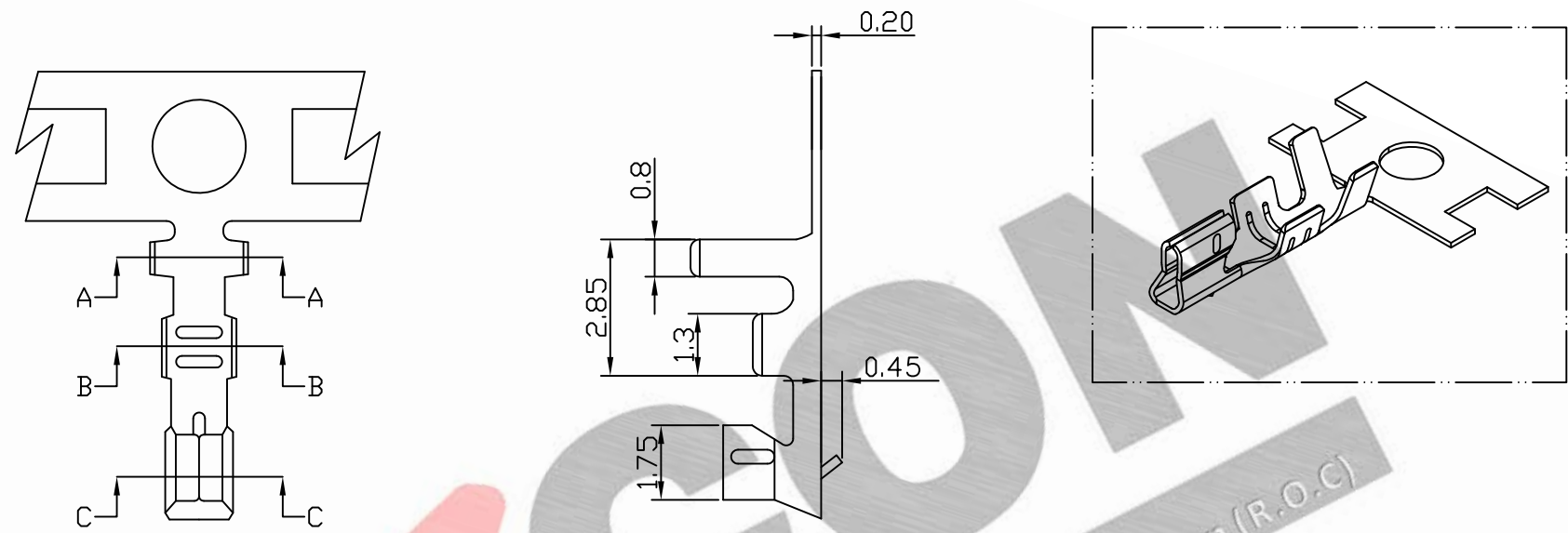
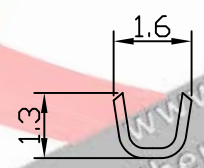


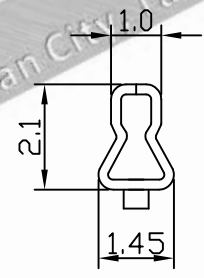
PART NO. 200100TC351  
 DWG NO. C2001TC



SEC A-A



SEC B-B



SEC C-C

NOTE:

1. Terminal Material: phosphor bronze.
2. Plated: Tin-plated 50u"min.
3. Applicable wires: AWG#30-#22
4. Insulation O.D.:0.9-1.7 mm
5. Q'ty / reel:10,000 PCS

				UNLESS OTHERWISE SPECIFIED TOLERANCES		<b>EXCON</b> <b>EXCON TECHNOLOGY COMPANY</b>
				3 PLACE ±0.5 ±0.10		
				2 PLACE ±1.5 ±0.35		
				1 PLACE ±2.0 ±0.50		PART.NO
				ANGLE DIM		
REV.	REVISIONI			DIS	DATE	DWG NO:
SCALE	REV.	PAGE:	UNIT	mm		
8/1	A	1	THIRD ANGLE PROJECTION			C2001TC

PART.NO		200100TC351
DWG NO:		