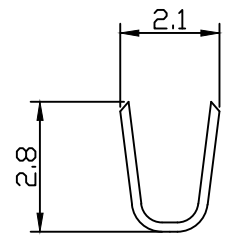
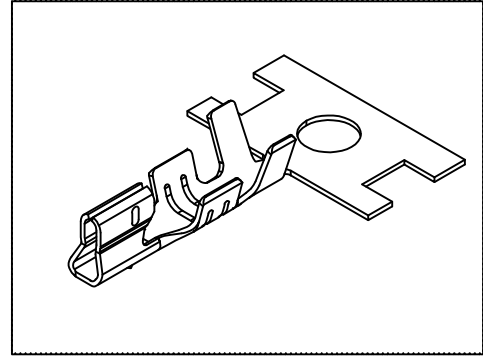
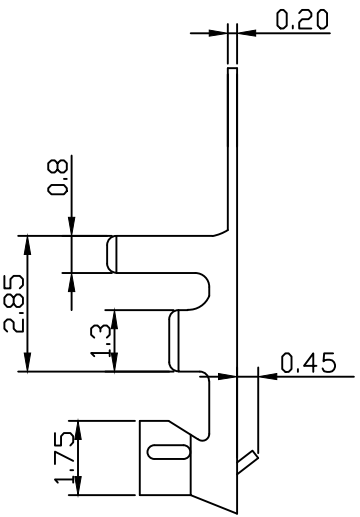
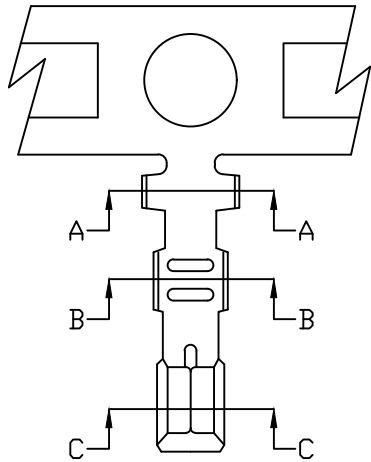
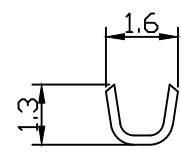


10 9 8 7 6 5 4 3 2 1

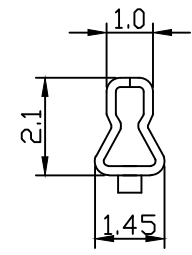
PART NO. 200100TC351
 DWG NO. C2001TC



SEC A-A



SEC B-B



SEC C-C

NOTE:

1. Terminal Material: phosphor bronze.
2. Plated: Tin-plated 50u"min.
3. Applicable wires: AWG#30-#22
4. Insulation O.D.:0.9-1.7 mm
5. Q'ty / reel:10,000 PCS

				UNLESS OTHERWISE SPECIFIED TOLERANCES		 EXCON TECHNOLOGY COMPANY
				3 PLACE ±0.5 ±0.10		
				2 PLACE ±1.5 ±0.35		PART.NO
				1 PLACE ±2.0 ±0.50		
				ANGLE DIM		200100TC351
REV.	REVISION		DIS	DATE		
SCALE	REV.	PAGE:	UNIT	mm		DWG NO:
8/1	A	1	THIRD ANGLE PROJECTION			C2001TC

10 9 8 7 6 5 4 3 2 1