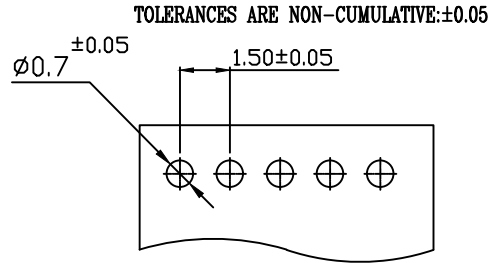
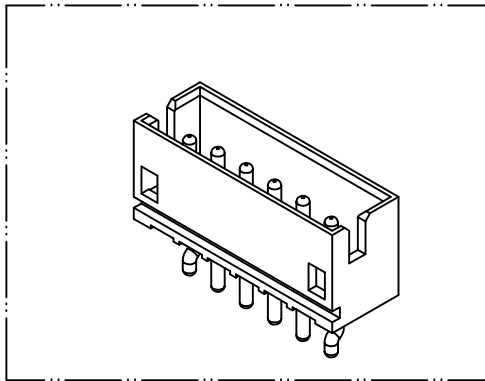
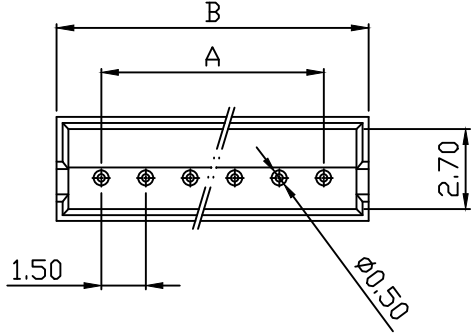
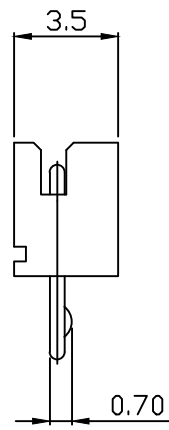
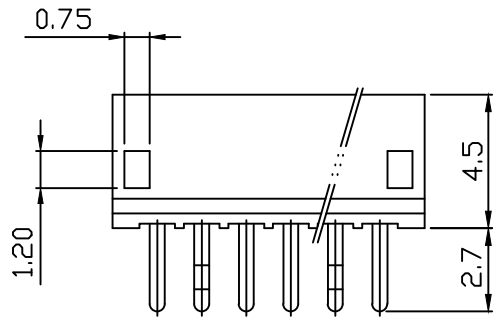


10 9 8 7 6 5 4 3 2 1

PART NO. 1501xxWV004
 DWG NO. C1501WV



RECOMMENDED PCB LAYOUT
 (PCB THK=0.6~1.2)



Dimensional & Ordering Information:

Part No.	Circuits	Dim A	Dim B
150102WV004	2	1.50	4.50
150103WV004	3	3.00	6.00
150104WV004	4	4.50	7.50
150105WV004	5	6.00	9.00
150106WV004	6	7.50	10.50
150107WV004	7	9.00	12.00
150108WV004	8	10.50	13.50
150109WV004	9	12.00	15.00
150110WV004	10	13.50	16.50
150111WV004	11	15.00	18.00
150112WV004	12	16.50	19.50
150113WV004	13	18.00	21.00
150114WV004	14	19.50	22.50
150115WV004	15	21.00	24.00

NOTE:

1. Wafer Material: Nylon 66 UL94V-0
Pin/Pos Material: brass bronze.
2. Plated: Tin-plated 50u"min.
3. Insulation resistance: 500MΩ min.
4. Withstand voltage: 500V AC/minute.
5. Current rating: 1A AC/DC.
6. Voltage rating: 100V AC/DC

UNLESS OTHERWISE SPECIFIED TOLERANCES
 3 PLACE ±0.5 ±0.10
 2 PLACE ±1.5 ±0.25
 1 PLACE ±2.0 ±0.50
 ANGLE DIM



REV.	REVISION		DIS	DATE
SCALE	REV.	PAGE	UNIT	mm
5/1	A	1	THIRD ANGLE PROJECTION	

DWG NO: C1501WV

PART.NO: 1501xxWV004

10 9 8 7 6 5 4 3 2 1