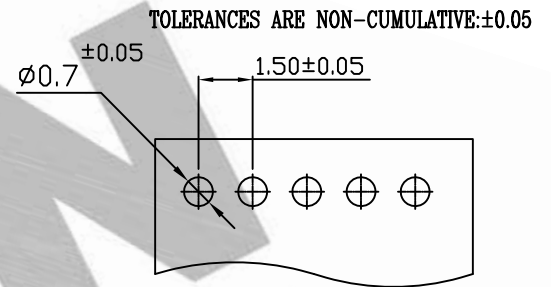
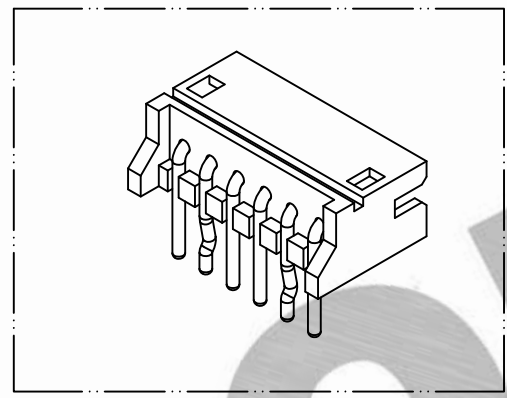
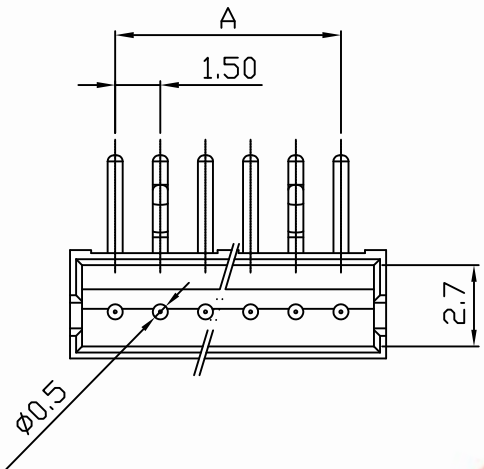
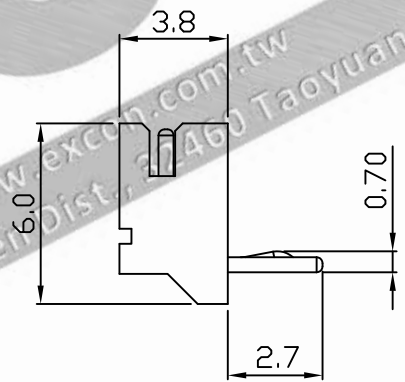
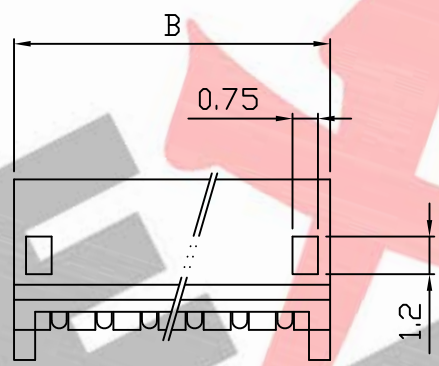


PART NO. 1501xxWR004
 DWG NO. C1501WR



RECOMMENDED PCB LAYOUT
 (PCB THK=0.6~1.2)



Dimensional & Ordering Information:

Part No.	Circuits	Dim A	Dim B
150102WR004	2	1.50	4.50
150103WR004	3	3.00	6.00
150104WR004	4	4.50	7.50
150105WR004	5	6.00	9.00
150106WR004	6	7.50	10.50
150107WR004	7	9.00	12.00
150108WR004	8	10.50	13.50
150109WR004	9	12.00	15.00
150110WR004	10	13.50	16.50
150111WR004	11	15.00	18.00
150112WR004	12	16.50	19.50
150113WR004	13	18.00	21.00
150114WR004	14	19.50	22.50
150115WR004	15	21.00	24.00

NOTE:

1. Wafer Material: Nylon 46 UL94V-0
Pin/Pos Material: brass bronze.
2. Plated: Tin-plated 50u"min.
3. Insulation resistance: 500MΩ min.
4. Withstand voltage: 500V AC/minute.
5. Current rating: 1A AC/DC.
6. Voltage rating: 100V AC/DC

UNLESS OTHERWISE SPECIFIED TOLERANCES			
3 PLACE ±0.5 ±0.10			
2 PLACE ±1.5 ±0.25			
1 PLACE ±2.0 ±0.50			
ANGLE DIM			
REV.	REVISION		DIS DATE
SCALE	REV.	PAGE:	UNIT mm
5/1	A	1	THIRD ANGLE PROJECTION

EXCON

EXCON TECHNOLOGY COMPANY

PART.NO

1501xxWR004

