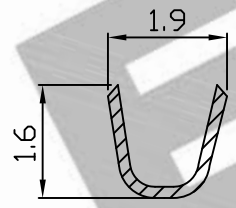
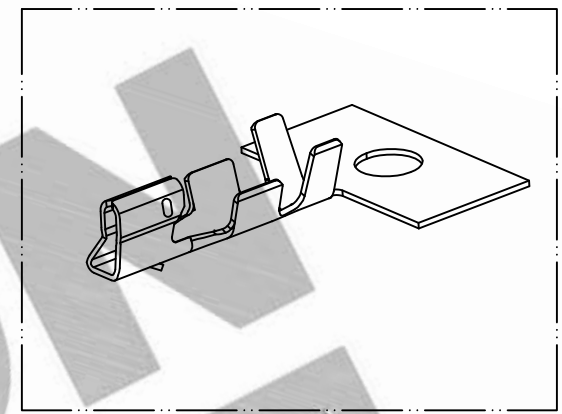
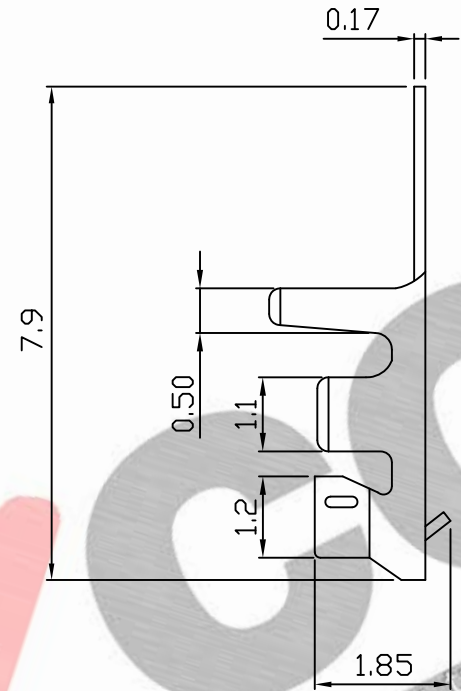
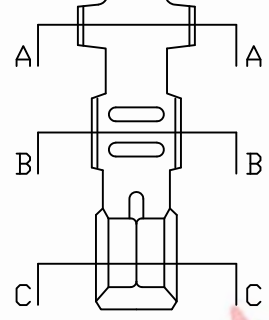
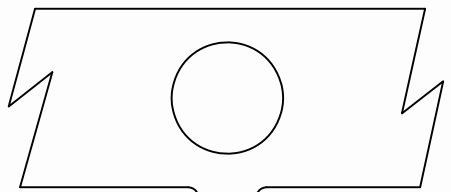
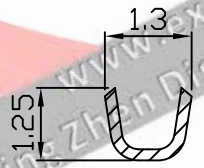


10 9 8 7 6 5 4 3 2 1

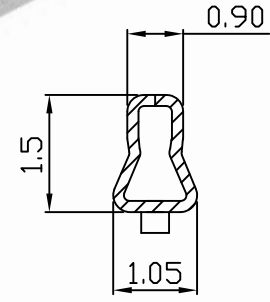
PART NO. 150100TC351  
 DWG NO. C1501TC



SEC A-A



SEC B-B



SEC C-C

- NOTE:
1. Terminal Material: phosphor bronze.
  2. Plated: Tin pre-plated 50u"min.
  3. Applicable wires: AWG#32-#26
  4. Insulation O.D.: 0.6-1.2 mm
  5. Q'ty / reel: 20,000 pcs

				UNLESS OTHERWISE SPECIFIED TOLERANCES		 <b>EXCON TECHNOLOGY COMPANY</b>
				3 PLACE ±0.5 ±0.10		
				2 PLACE ±1.5 ±0.25		
				1 PLACE ±2.0 ±0.50		PART.NO
				ANGLE DIM		
REV.	REVISIONI			DIS	DATE	DWG NO:
SCALE	REV.	PAGE:	UNIT	mm		
5/1	A	1	THIRD ANGLE PROJECTION			C1501TC
						150100TC351

10 9 8 7 6 5 4 3 2 1