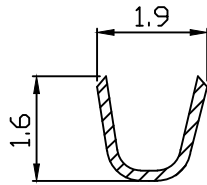
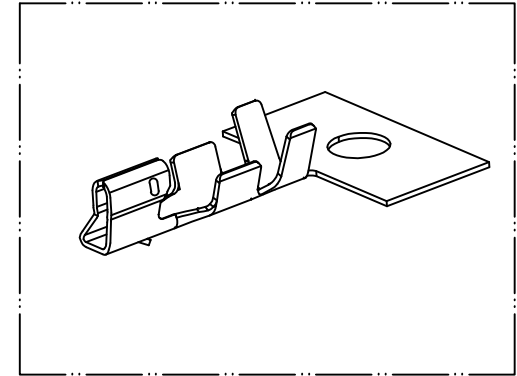
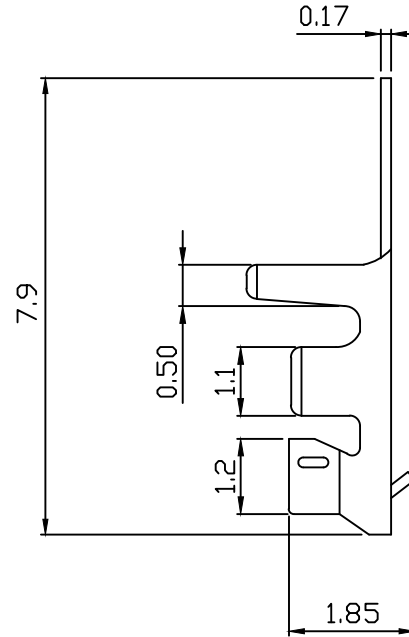
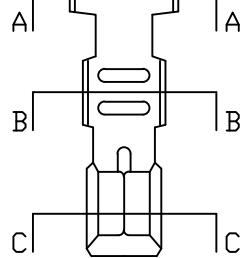
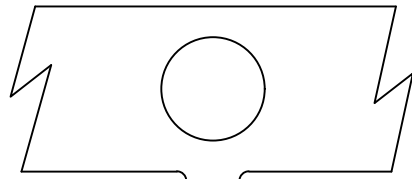
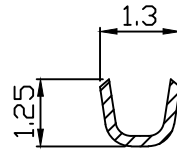


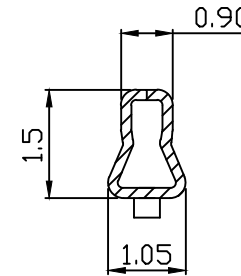
PART NO. 150100TC351  
 DWG NO. C1501TC



SEC A-A



SEC B-B



SEC C-C

**NOTE:**

1. Terminal Material: phosphor bronze.
2. Plated: Tin pre-plated 50u"min.
3. Applicable wires: AWG#32-#26
4. Insulation O.D.: 0.6-1.2 mm
5. Q'ty / reel: 20,000 pcs

						UNLESS OTHERWISE SPECIFIED TOLERANCES		<b>EXCON</b> EXCON TECHNOLOGY COMPANY
						3 PLACE ±0.5 ±0.10		
						2 PLACE ±1.5 ±0.25		
						1 PLACE ±2.0 ±0.50		PART.NO
						ANGLE DIM		
REV.	REVISION			DIS	DATE	DWG NO:		150100TC351
SCALE	REV.	PAGE:	UNIT	m	m			
5/1	A	1	THIRD ANGLE PROJECTION			C1501TC		