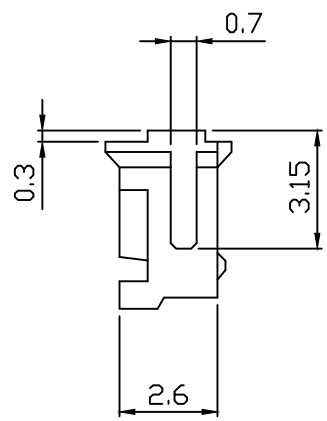
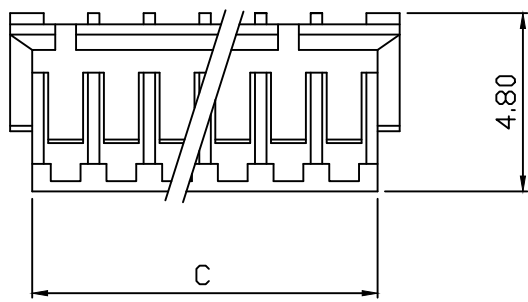
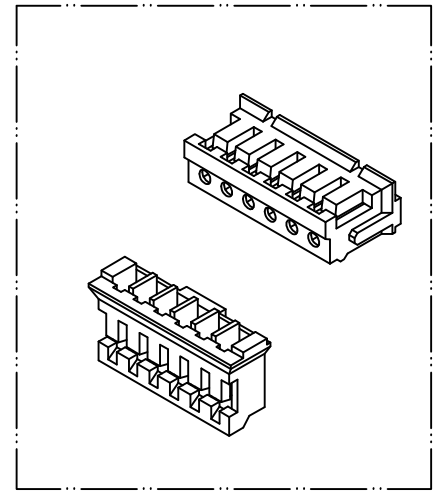
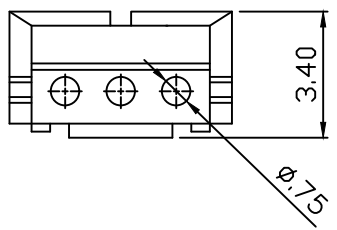
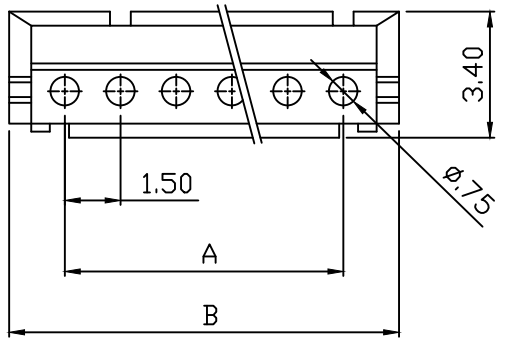


10 9 8 7 6 5 4 3 2 1

PART NO. 1501xxHA001
 DWG NO. C1501HA

(4~15 circuits)

(2,3 circuits)



Dimensional & Ordering Information:

Part No.	Circuits	Dim A	Dim B	Dim C
150102HA001	2	1.50	4.50	3.35
150103HA001	3	3.00	6.00	4.85
150104HA001	4	4.50	7.50	6.35
150105HA001	5	6.00	9.00	7.85
150106HA001	6	7.50	10.50	9.35
150107HA001	7	9.00	12.00	10.85
150108HA001	8	10.50	13.50	12.35
150109HA001	9	12.00	15.00	13.85
150110HA001	10	13.50	16.50	15.35
150111HA001	11	15.00	18.00	16.85
150112HA001	12	16.50	19.50	18.35
150113HA001	13	18.00	21.00	19.85
150114HA001	14	19.50	22.50	21.35
150115HA001	15	21.00	24.00	22.85

NOTE:

- Housing Material: Nylon 66 UL 94V-0
- Insulation resistance: 500MΩ min.
- Withstand voltage: 500V AC/minute.
- Current rating: 1A AC/DC.
- Voltage rating: 100V AC/DC

REV.	REVISION	DIS	DATE
SCALE	REV.	PAGE:	UNIT
5/1	A	1	mm

UNLESS OTHERWISE SPECIFIED TOLERANCES
 3 PLACE ±0.5 ±0.10
 2 PLACE ±1.5 ±0.25
 1 PLACE ±2.0 ±0.50
 ANGLE DIM



DWG NO:	C1501HA	PART.NO	1501xxHA001
---------	---------	---------	-------------

10 9 8 7 6 5 4 3 2 1