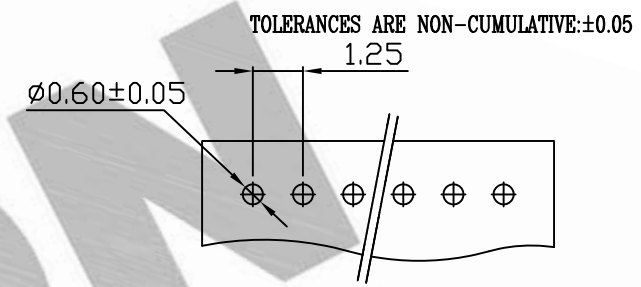
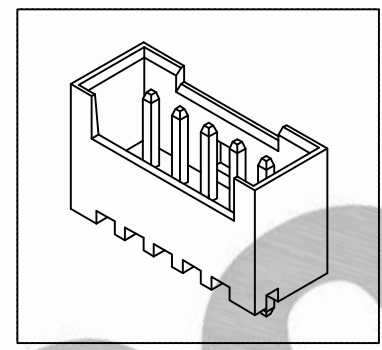
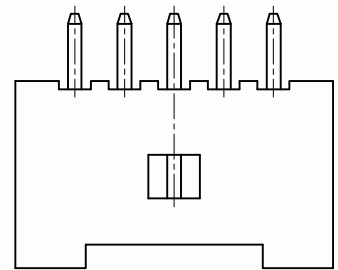
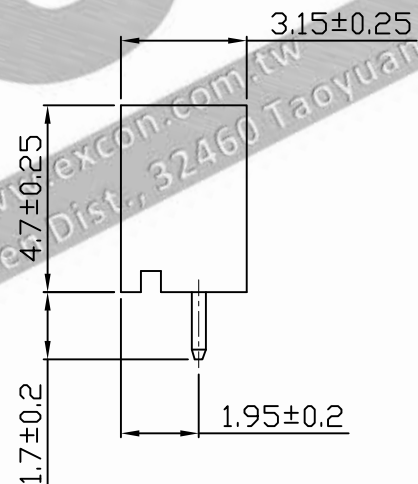
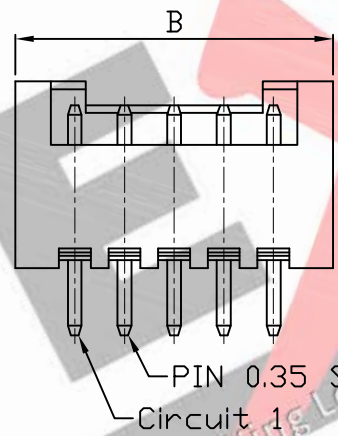
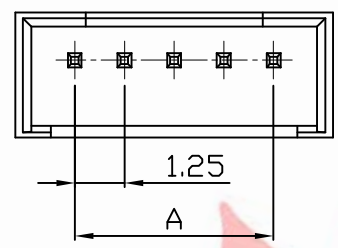


PART NO. 1252xxWV006
 DWG NO. C1252WV



RECOMMENDED PCB LAYOUT
 (PCB THK=1.0~1.6)



Dimensional & Ordering Information:

| Part No. | Circuits | Dim A | Dim B |
|-------------|----------|-------|-------|
| 125202WV006 | 2 | 1.25 | 4.25 |
| 125203WV006 | 3 | 2.50 | 5.50 |
| 125204WV006 | 4 | 3.75 | 6.75 |
| 125205WV006 | 5 | 5.00 | 8.00 |
| 125206WV006 | 6 | 6.25 | 9.25 |
| 125207WV006 | 7 | 7.50 | 10.50 |
| 125208WV006 | 8 | 8.75 | 11.75 |
| 125209WV006 | 9 | 10.00 | 13.00 |
| 125210WV006 | 10 | 11.25 | 14.25 |
| 125211WV006 | 11 | 12.50 | 15.50 |
| 125212WV006 | 12 | 13.75 | 16.75 |
| 125213WV006 | 13 | 15.00 | 18.00 |
| 125214WV006 | 14 | 16.25 | 19.25 |
| 125215WV006 | 15 | 17.50 | 20.50 |

NOTE:

1. Wafer Material: Nylon 66,UL94V-0
2. Plated: Tin-plated 50u"min.
3. Insulation resistance: 100M ohm/min.
4. Withstand voltage: 500V AC/minute.
5. Current retang: 1A AC/DC.
6. Voltage rating: 200V AC/DC

UNLESS OTHERWISE SPECIFIED TOLERANCES
 3 PLACE $\pm 0.5 \pm 0.10$
 2 PLACE $\pm 1.5 \pm 0.25$
 1 PLACE $\pm 2.0 \pm 0.50$
 ANGLE DIM



| REV. | REVISION | DIS | DATE | DWG NO: | PART.NO |
|------|----------|-----|------|---------|-------------|
| 5/1 | B | 1 | | C1252WV | 1252xxWV006 |

SCALE: REV. PAGE: UNIT mm
 THIRD ANGLE PROJECTION