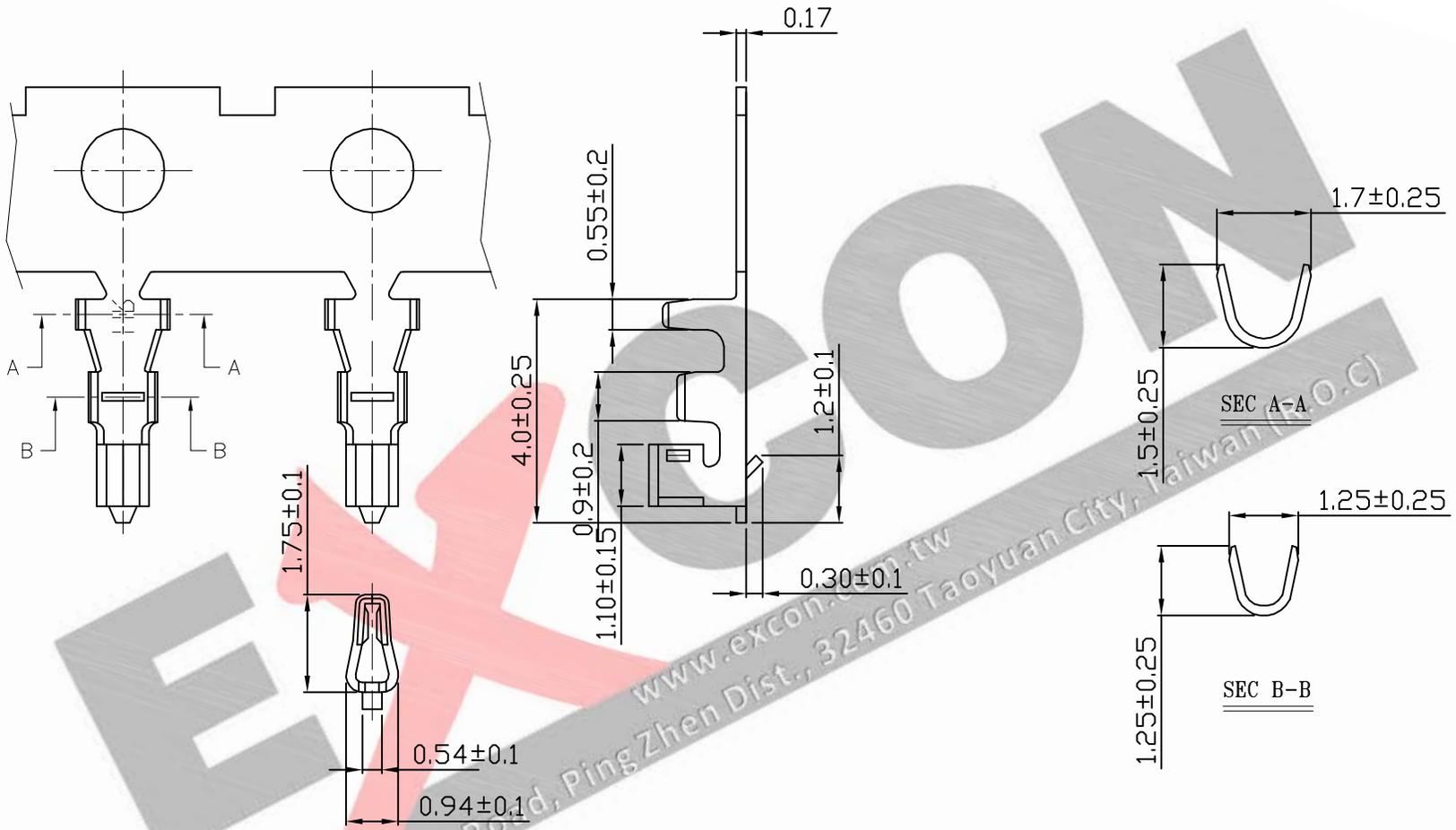


10 9 8 7 6 5 4 3 2 1

PART NO. 125200TC301
 DWG NO. C1252TC



- NOTE:
1. Terminal Material: phosphor
 2. Plated: Tin plated 50u"min.
 3. Applicable wires: AWG#32-#28
 4. Q'ty / reel: 20,000 pcs

				UNLESS OTHERWISE SPECIFIED TOLERANCES		 EXCON TECHNOLOGY COMPANY
				3 PLACE ±0.5 ±0.10		
				2 PLACE ±1.5 ±0.25		
				1 PLACE ±2.0 ±0.50		
				ANGLE DIM		
REV.	REVISIONI			DIS	DATE	
SCALE	REV.	PAGE:	UNIT	mm		DWG NO:
8/1	A	1	THIRD ANGLE PROJECTION			C1252TC
					PART.NO	
					125200TC301	

10 9 8 7 6 5 4 3 2 1