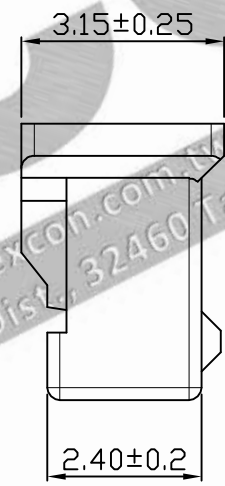
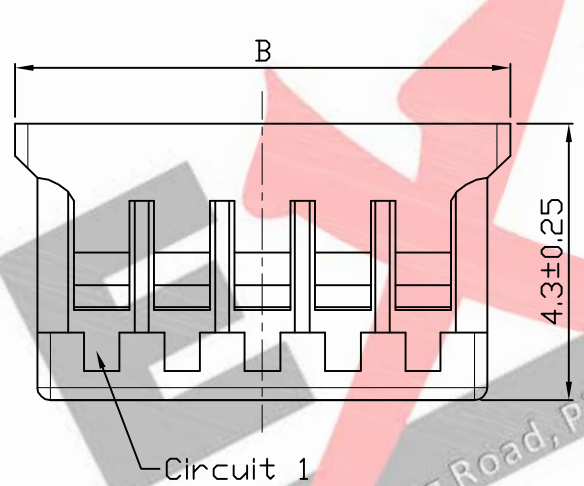
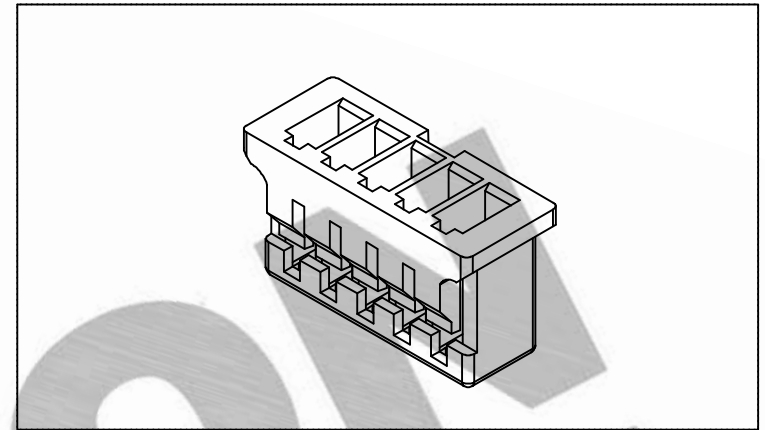
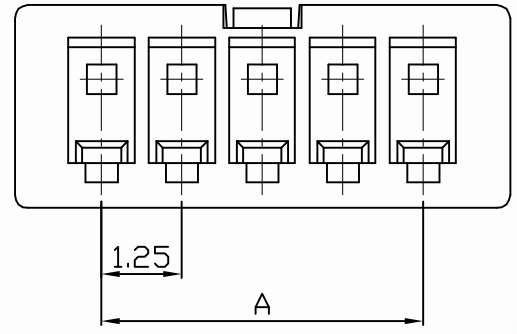


PART NO. 1252xxHA006  
 DWG NO. C1252HA



Dimensional & Ordering Information:

Part No.	Circuits	Dim A	Dim B
125202HA006	2	1.25	3.95
125203HA006	3	2.50	5.20
125204HA006	4	3.75	6.45
125205HA006	5	5.00	7.70
125206HA006	6	6.25	8.95
125207HA006	7	7.50	10.20
125208HA006	8	8.75	11.45
125209HA006	9	10.00	12.70
125210HA006	10	11.25	13.95
125211HA006	11	12.50	15.20
125212HA006	12	13.75	16.45
125213HA006	13	15.00	17.70
125214HA006	14	16.25	18.95
125215HA006	15	17.50	20.20

NOTE:

1. Material: Nylon 66,UL94V-0
2. Insulation resistance: 100M ohm/min.
3. Withstand voltage: 500V AC/minute.
4. Current rating: 1A AC/DC.
5. Voltage rating: 200V AC/DC

				UNLESS OTHERWISE SPECIFIED TOLERANCES	
				3 PLACE ±0.5 ±0.10	
				2 PLACE ±1.5 ±0.25	
				1 PLACE ±2.0 ±0.50	
				ANGLE DIM	
REV.	REVISION			DIS	DATE
SCALE	REV.	PAGE:	UNIT	mm	
5/1	A	1	THIRD ANGLE PROJECTION	C1252HA	

**EXCON**  
 EXCON TECHNOLOGY COMPANY

PART.NO  
 1252xxHA006