

10

9

8

7

6

5

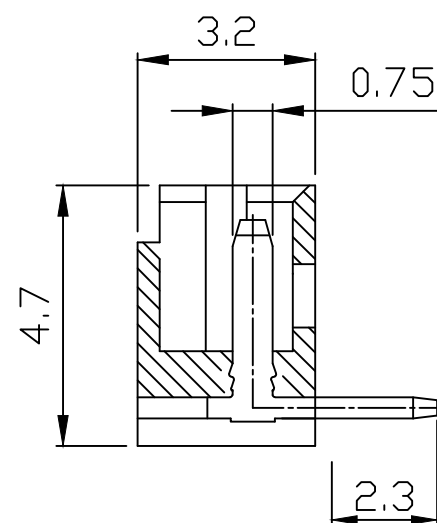
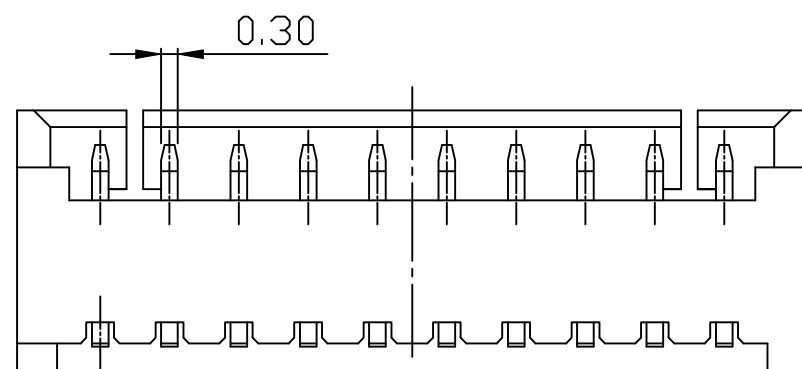
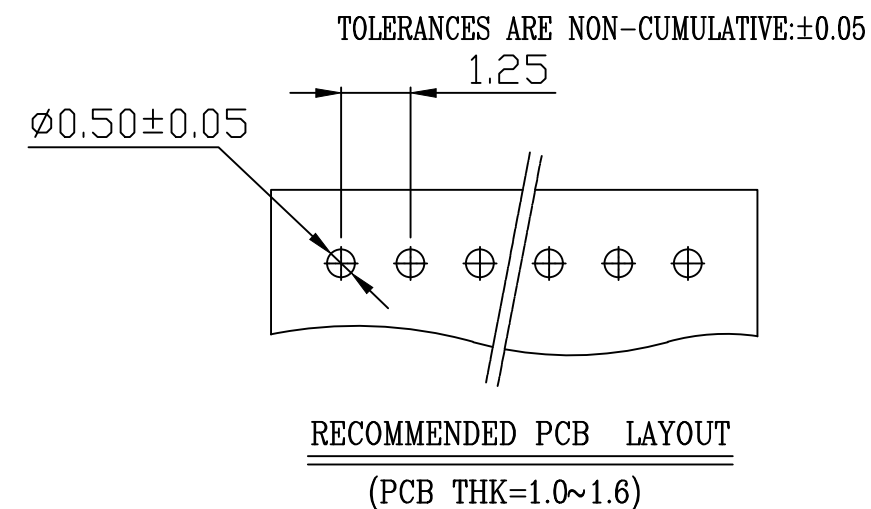
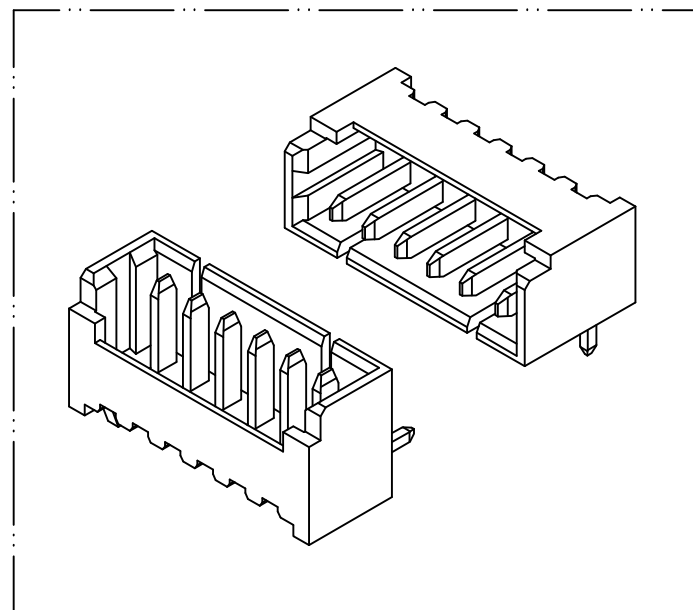
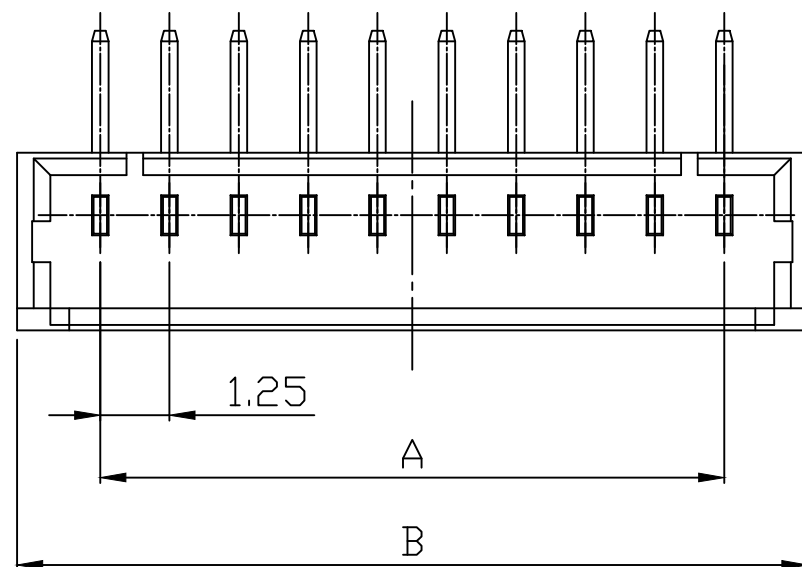
4

3

2

1

PART NO. 1251xxWR101
 DWG NO. C1251WR



Dimensional & Ordering Information:

Part No.	Circuits	Dim A	Dim B
125102WR101	2	1.25	4.25
125103WR101	3	2.50	5.50
125104WR101	4	3.75	6.75
125105WR101	5	5.00	8.00
125106WR101	6	6.25	9.25
125107WR101	7	7.50	10.50
125108WR101	8	8.75	11.75
125109WR101	9	10.00	13.00
125110WR101	10	11.25	14.25
125111WR101	11	12.50	15.50
125112WR101	12	13.75	16.75
125113WR101	13	15.00	18.00
125114WR101	14	16.25	19.25
125115WR101	15	17.50	20.50

NOTE:

1. Wafer Material: Nylon 46
2. Plated: Tin-plated 50u"min.
3. Insulation resistance: 1000M ohm/min.
4. Withstand voltage: 250V AC/minute.
5. Current rating: 1A AC/DC.
6. Voltage rating: 100V AC/DC

REV.	REVISION	DIS	DATE
SCALE	REV.	PAGE:	UNIT
5/1	A	1	mm

UNLESS OTHERWISE SPECIFIED TOLERANCES
 3 PLACE ±0.5 ±0.10
 2 PLACE ±1.5 ±0.25
 1 PLACE ±2.0 ±0.50
 ANGLE DIM

EXCON
 EXCON TECHNOLOGY COMPANY

SCALE	REV.	PAGE:	UNIT	mm	DWG NO:	PART.NO
5/1	A	1	THIRD ANGLE PROJECTION		C1251WR	1251xxWR101

10

9

8

7

6

5

4

3

2

1