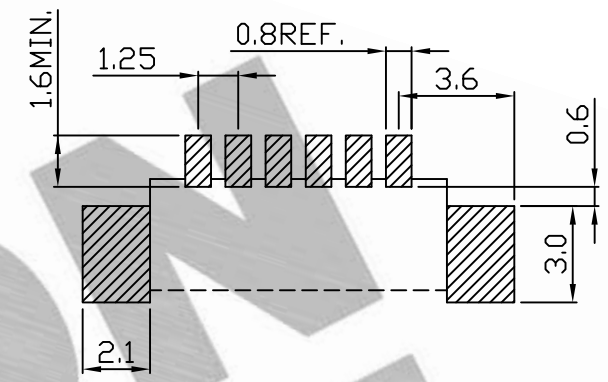
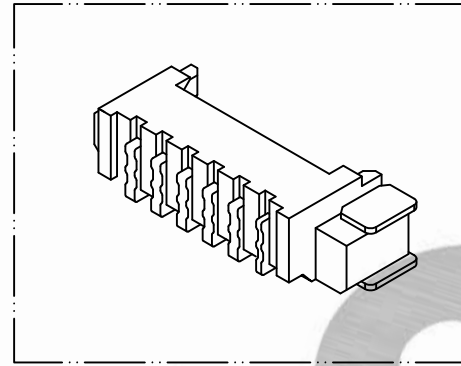
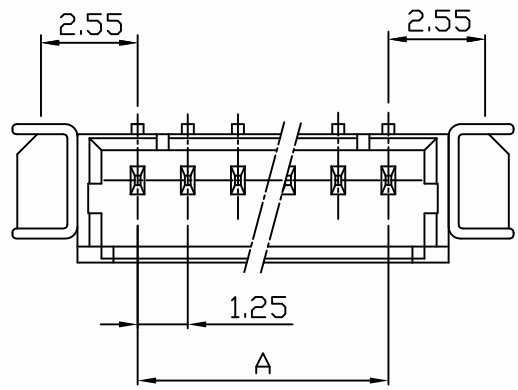
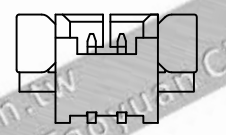
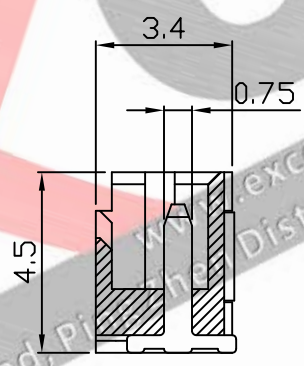
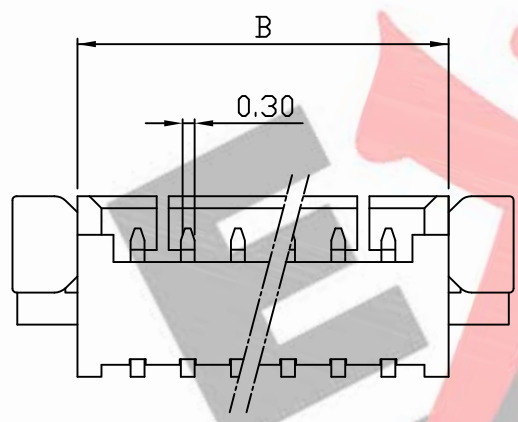


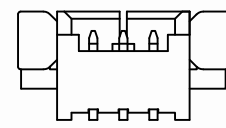
PART NO. 1251xxWE101
 DWG NO. C1251WE



RECOMMENDED PCB LAYOUT
 (PCB THK=1.0~1.6)



2 Circuits



3 Circuits

Dimensional & Ordering Information:

Part No.	Circuits	Dim A	Dim B
125102WE101	2	1.25	4.25
125103WE101	3	2.50	5.50
125104WE101	4	3.75	6.75
125105WE101	5	5.00	8.00
125106WE101	6	6.25	9.25
125107WE101	7	7.50	10.50
125108WE101	8	8.75	11.75
125109WE101	9	10.00	13.00
125110WE101	10	11.25	14.25
125111WE101	11	12.50	15.50
125112WE101	12	13.75	16.75
125113WE101	13	15.00	18.00
125114WE101	14	16.25	19.25
125115WE101	15	17.50	20.50

NOTE:

1. Wafer Material: Nylon 46
2. Plated: Tin-plated 50u"min.
3. Insulation resistance: 1000M ohm/min.
4. Withstand voltage: 250V AC/minute.
5. Current rating: 1A AC/DC.
6. Voltage rating: 100V AC/DC

UNLESS OTHERWISE SPECIFIED TOLERANCES
 3 PLACE ±0.5 ±0.10
 2 PLACE ±1.5 ±0.25
 1 PLACE ±2.0 ±0.50
 ANGLE DIM



REV.	REVISION	DIS	DATE
5/1	A	1	

SCALE: UNIT: mm

THIRD ANGLE PROJECTION

DWG NO: C1251WE

PART.NO: 1251xxWE101