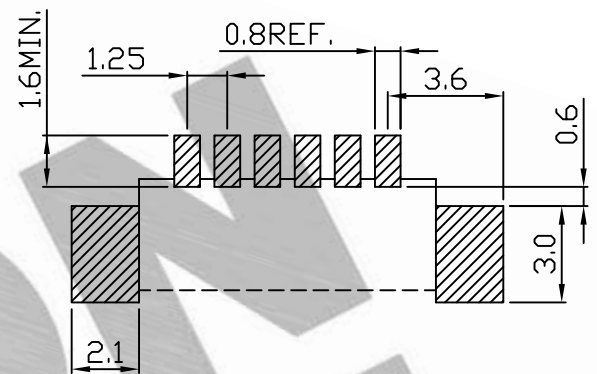
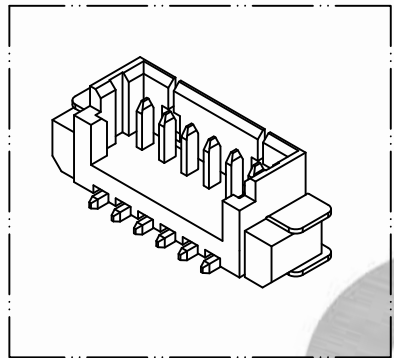
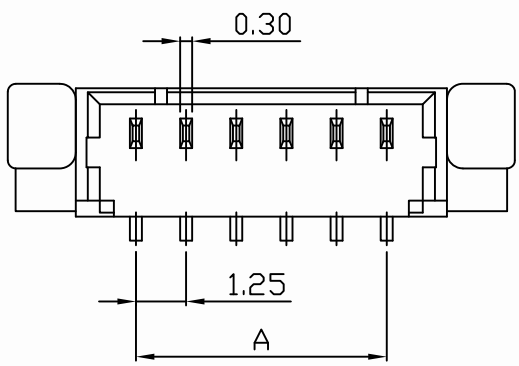
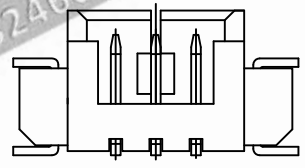
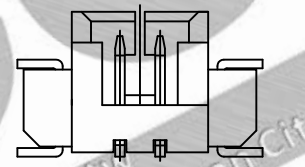
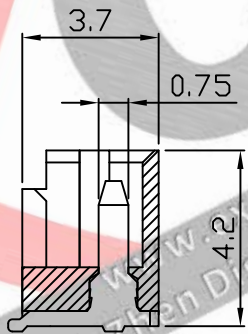
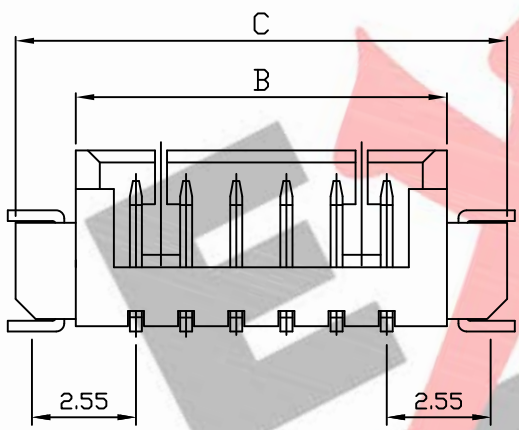


PART NO. 1251xxWD101
 DWG NO. C1251WD



RECOMMENDED PCB LAYOUT
 (PCB THK=1.0~1.6)



Dimensional & Ordering Information:

Part No.	Circuits	Dim A	Dim B	Dim C
125102WD101	2	1.25	4.25	7.25
125103WD101	3	2.50	5.50	8.50
125104WD101	4	3.75	6.75	9.75
125105WD101	5	5.00	8.00	11.00
125106WD101	6	6.25	9.25	12.25
125107WD101	7	7.50	10.50	13.50
125108WD101	8	8.75	11.75	14.75
125109WD101	9	10.00	13.00	16.00
125110WD101	10	11.25	14.25	17.25
125111WD101	11	12.50	15.50	18.50
125112WD101	12	13.75	16.75	19.75
125113WD101	13	15.00	18.00	21.00
125114WD101	14	16.25	19.25	22.25
125115WD101	15	17.50	20.50	23.50

- NOTE:**
1. Wafer Material: Nylon 46
 2. Plated: Tin-plated 50u"min.
 3. Insulation resistance: 1000M ohm/min.
 4. Withstand voltage: 250V AC/minute.
 5. Current rating: 1A AC/DC.
 6. Voltage rating: 100V AC/DC

				UNLESS OTHERWISE SPECIFIED TOLERANCES	
				3 PLACE ±0.5 ±0.10	
				2 PLACE ±1.5 ±0.25	
				1 PLACE ±2.0 ±0.50	
				ANGLE DIM	
REV.	REVISION		DIS	DATE	
SCALE	REV.	PAGE:	UNIT	MM	
5/1	A	1	THIRD ANGLE PROJECTION	C1251WD	

EXCON

EXCON TECHNOLOGY COMPANY

PART.NO

1251xxWD101