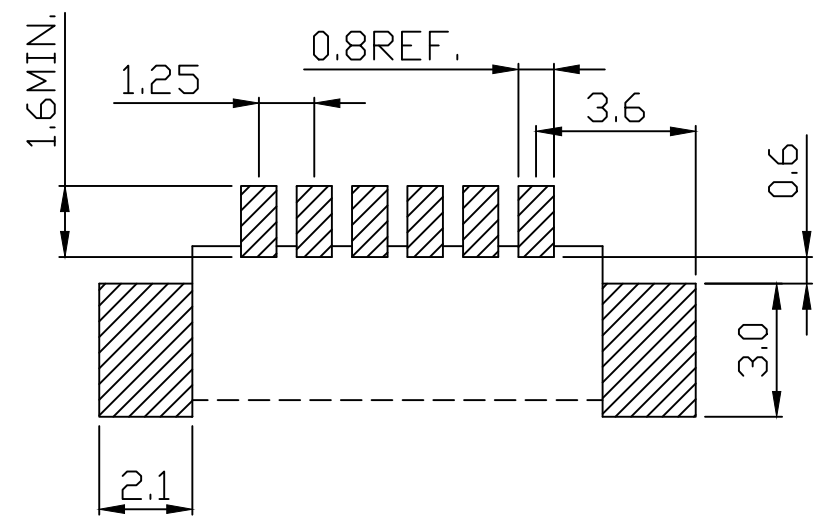
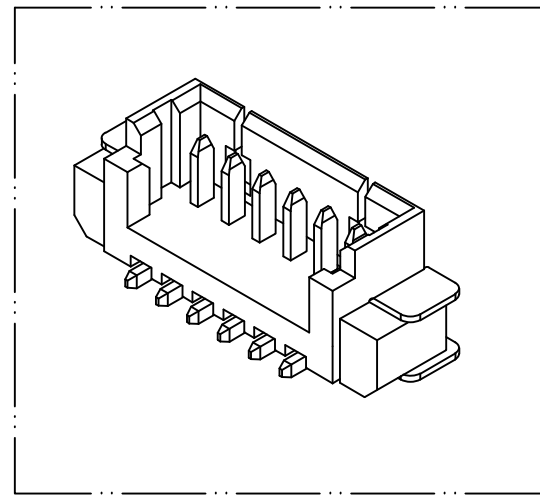
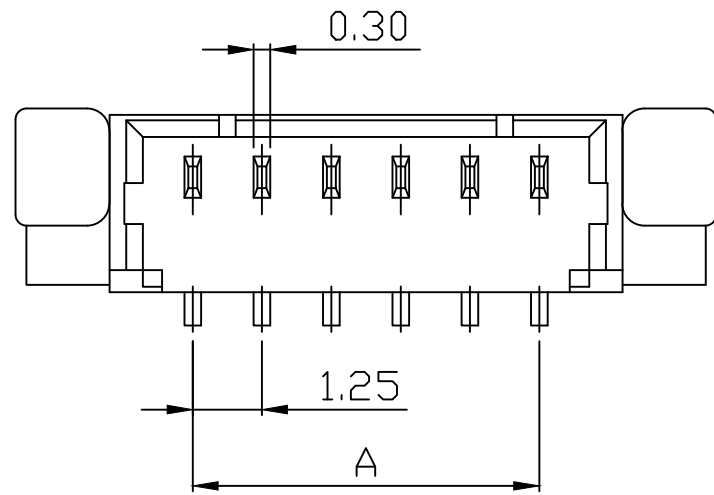
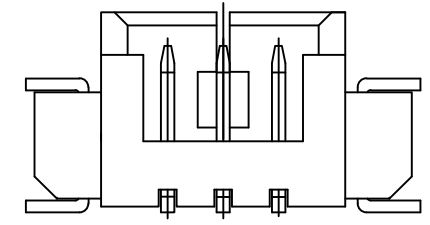
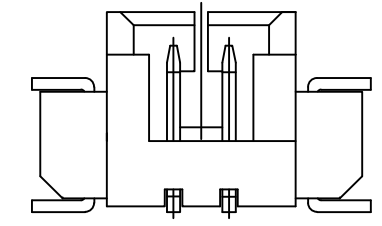
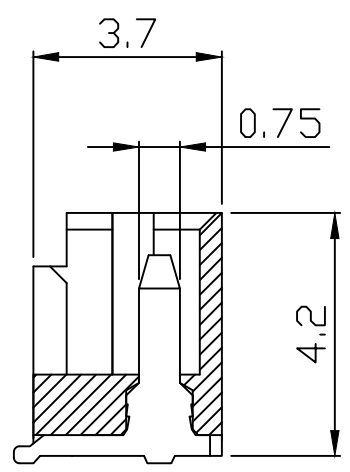
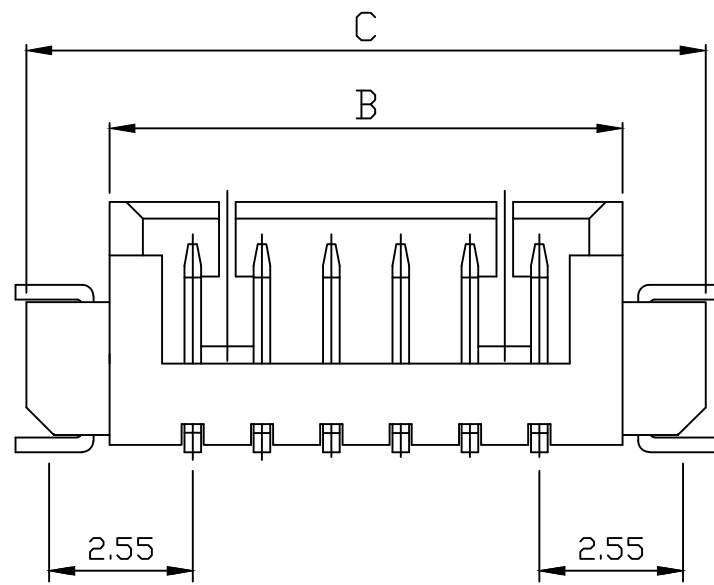


PART NO. 1251xxWD101
 DWG NO. C1251WD



RECOMMENDED PCB LAYOUT
 (PCB THK=1.0~1.6)



Dimensional & Ordering Information:

Part No.	Circuits	Dim A	Dim B	Dim C
125102WD101	2	1.25	4.25	7.25
125103WD101	3	2.50	5.50	8.50
125104WD101	4	3.75	6.75	9.75
125105WD101	5	5.00	8.00	11.00
125106WD101	6	6.25	9.25	12.25
125107WD101	7	7.50	10.50	13.50
125108WD101	8	8.75	11.75	14.75
125109WD101	9	10.00	13.00	16.00
125110WD101	10	11.25	14.25	17.25
125111WD101	11	12.50	15.50	18.50
125112WD101	12	13.75	16.75	19.75
125113WD101	13	15.00	18.00	21.00
125114WD101	14	16.25	19.25	22.25
125115WD101	15	17.50	20.50	23.50

NOTE:

1. Wafer Material: Nylon 46
2. Plated: Tin-plated 50u"min.
3. Insulation resistance: 1000M ohm/min.
4. Withstand voltage: 250V AC/minute.
5. Current rating: 1A AC/DC.
6. Voltage rating: 100V AC/DC

REV.	REVISION	DIS	DATE
SCALE	REV.	PAGE	UNIT
5/1	A	1	mm

UNLESS OTHERWISE SPECIFIED TOLERANCES
 3 PLACE ±0.5 ±0.10
 2 PLACE ±1.5 ±0.25
 1 PLACE ±2.0 ±0.50
 ANGLE DIM

EXCON
 EXCON TECHNOLOGY COMPANY

DWG NO:	C1251WD	PART.NO	1251xxWD101
---------	---------	---------	-------------