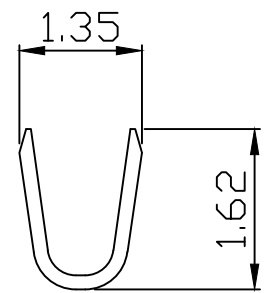
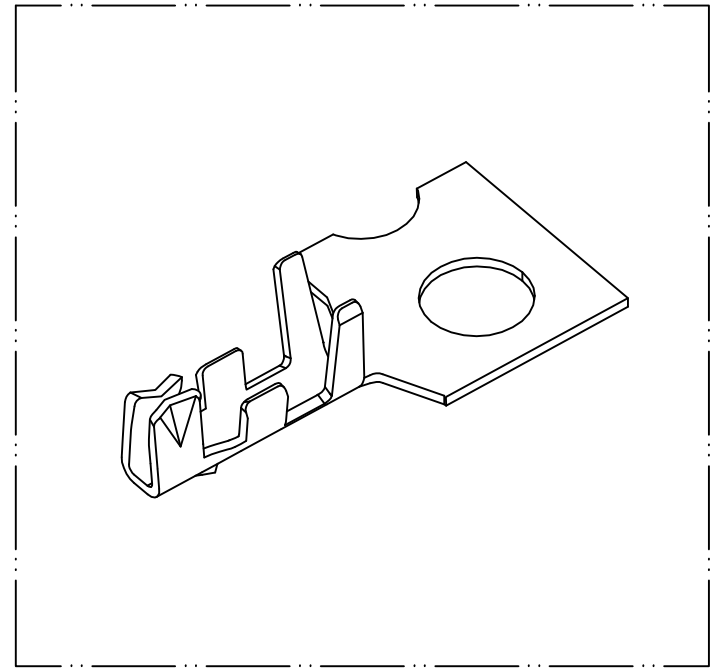
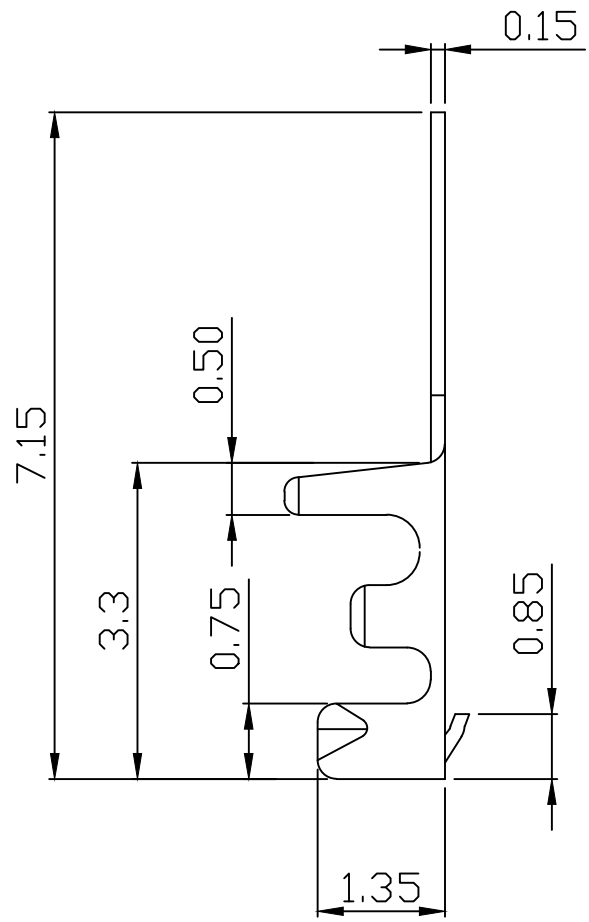
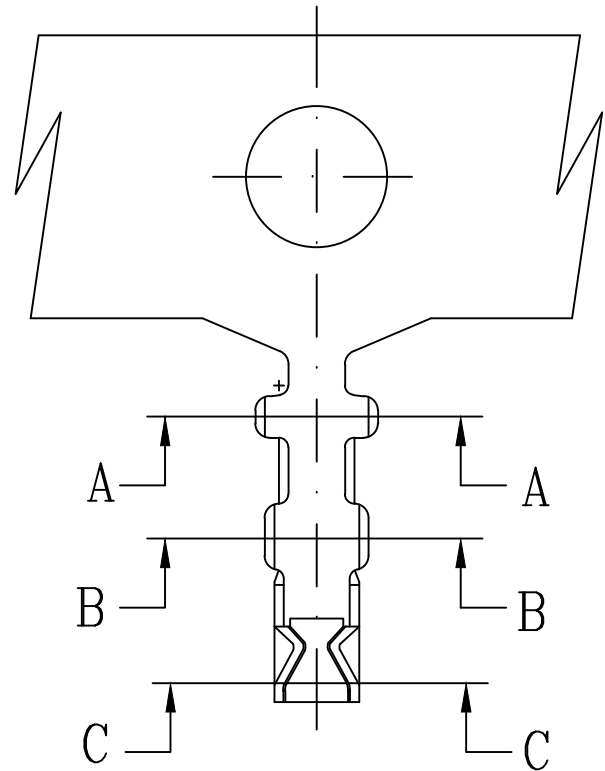
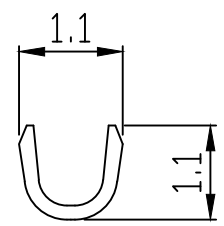


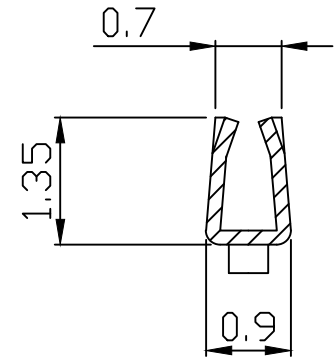
PART NO. 125100TC301
 DWG NO. C1251TC



SEC A-A



SEC B-B



SEC C-C

- NOTE:
1. Terminal Material: phosphor
 2. Plated: Tin plated 50u"min.
 3. Applicable wires: AWG#32-#26
 4. For AWG #26~#28, Applicable wire: 1061,1571
 5. Q'ty / reel: 20,000 pcs

Part No.	Wire Range	Insulation O.D.	Material	Finishing
125100TC351	AWG#32~#26	0.5-1.1mm	Phosphor	Tin pre-plated
125100TC301	AWG#32~#26	0.5-1.1mm	Phosphor	Tin plated

REV.	REVISION	DIS	DATE
SCALE	REV.	PAGE:	UNIT
8/1	A	1	mm

UNLESS OTHERWISE SPECIFIED TOLERANCES
 3 PLACE ±0.5 ±0.10
 2 PLACE ±1.5 ±0.25
 1 PLACE ±2.0 ±0.50
 ANGLE DIM

EXCON
 EXCON TECHNOLOGY COMPANY

SCALE	REV.	PAGE:	UNIT	mm	DWG NO:	PART.NO
8/1	A	1	THIRD ANGLE PROJECTION		C1251TC	125100TC301