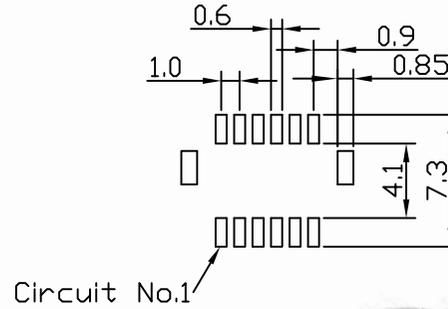
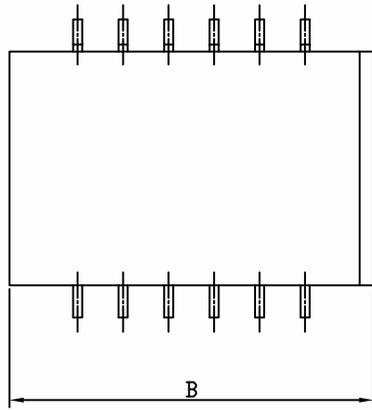
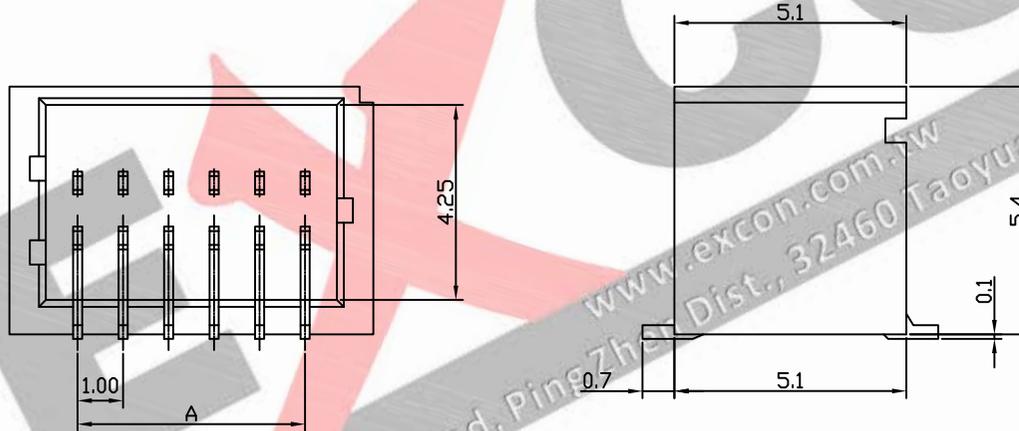
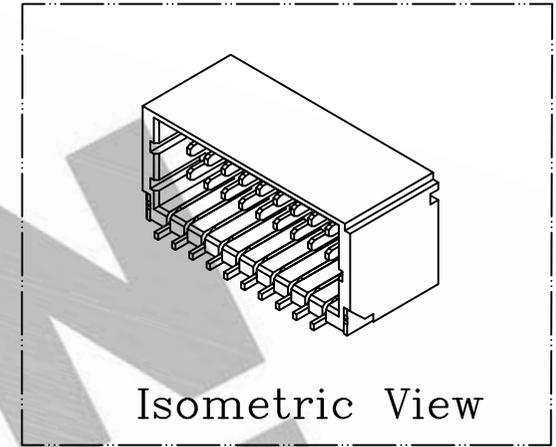


PART NO. 1002xxWE101
 DWG NO. C1002WE



RECOMMENDED PCB LAYOUT
 (PCB THK=1.0~1.6)



NOTE:

- ▲ 1. Wafer Material: Nylon 6T UL94V-0
Pin/Pos Material: brass bronze.
- ▲ 2. Plated: Tin-plated 50u"min.
- ▲ 3. Insulation resistance: 100M ohm/min.
- ▲ 4. Withstand voltage: 500V AC/minute.
- ▲ 5. Current rating: 1A AC/DC.
- ▲ 6. Voltage rating: 50V AC/DC
- ▲ 7. Color : Natural

Dimensional & Ordering Information:

Part No.	Circuits	Dim A	Dim B
100220WE101	20	9.0	13.1
100230WE101	30	14.0	18.1
100240WE101	40	19.0	23.1
100250WE101	50	24.0	28.1

1.NOTE: 修改 第1項 :NY66 UL94V-0 → NY6T UL94V-0 修改 第3項 :1000MΩ → 100MΩ 修改 第4項 :800V → 500V 修改 第5項 :3A AC/DC. → 1A AC/DC. 修改 第6項 :250V AC/DC. → 50V AC/DC. 新增 第7項 :Color: Natural 2.修改件號碼三碼 001 → 101		christy	5/11 2015
REV.	REVISION	DIS	DATE
SCALE	REV. PAGE:	UNIT	mm
1/1	B 1/1	THIRD ANGLE PROJECTION	

UNLESS OTHERWISE SPECIFIED TOLERANCES
 3 PLACE ±0.5 ±0.10
 2 PLACE ±1.5 ±0.25
 1 PLACE ±2.0 ±0.50
 ANGLE DIM

EXCON
 EXCON TECHNOLOGY COMPANY

DWG NO:	PART NO
C1002WE	1002xxWE101