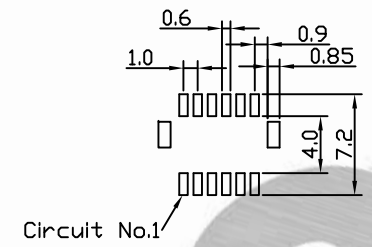
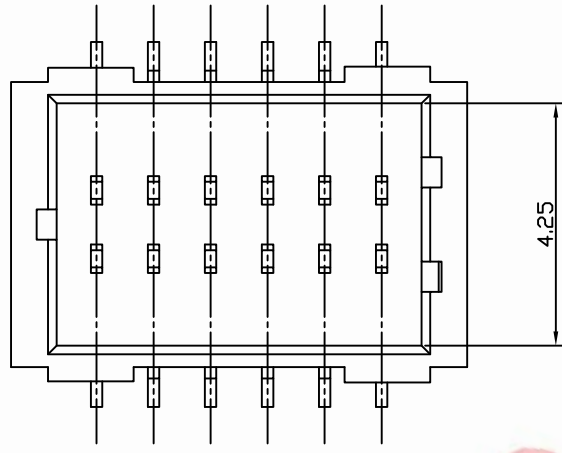
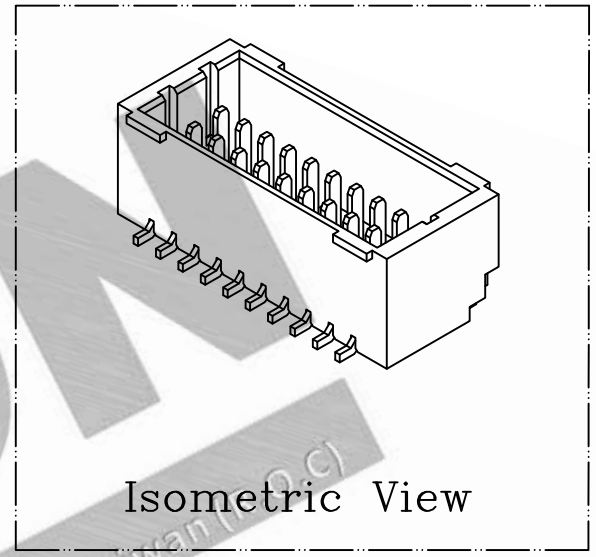


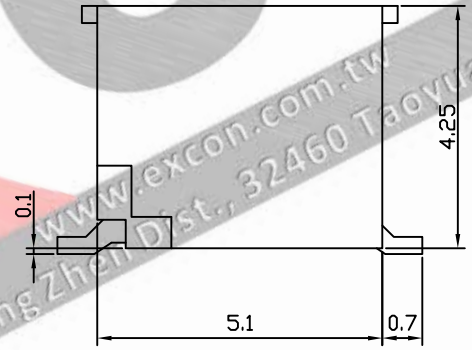
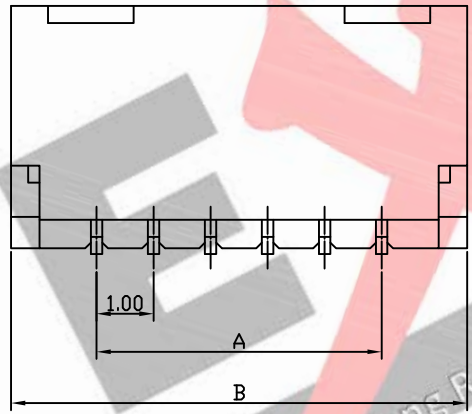
PART NO. 1002xxWD101
 DWG NO. C1002WD



RECOMMENDED PCB LAYOUT
 (PCB THK=1.0~1.6)



Isometric View



NOTE:

1. Wafer Material: Nylon 6T UL94V-0
Pin/Pos Material: brass bronze.
2. Plated: Tin-plated 50u"min.
3. Insulation resistance: 100M ohm/min.
4. Withstand voltage: 500V AC/minute.
5. Current rating: 1A AC/DC.
6. Voltage rating: 50V AC/DC
7. Color : Natural

Dimensional & Ordering Information:

Part No.	Circuits	Dim A	Dim B
100220WD101	20	9.0	12.3
100230WD101	30	14.0	17.3
100240WD101	40	19.0	22.3
100250WD101	50	24.0	27.3

REVISION	REV.	PAGE:	UNIT	DATE	DIS	DATE	UNLESS OTHERWISE SPECIFIED TOLERANCES 5 PLACE ±0.5 ±0.10 2 PLACE ±1.5 ±0.25 1 PLACE ±2.0 ±0.50 ANGLE DIM
	REVISION I		MM	5/7	2015		



SCALE	REV.	PAGE:	UNIT	PROJECTION	DWG NO:	PART.NO
1/1	B	1/1	THIRD ANGLE	PROJECTION	C1002WD	1002xxWD101