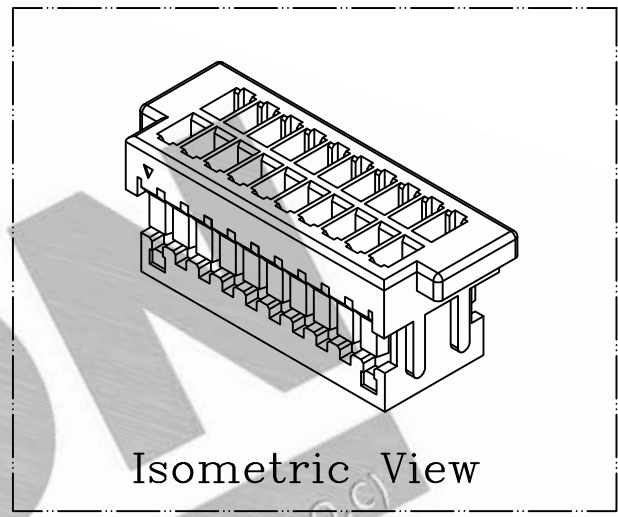
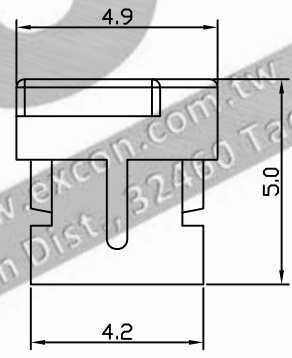
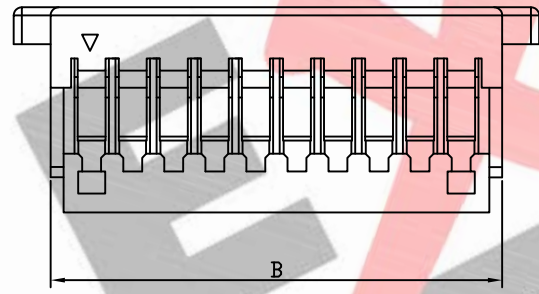
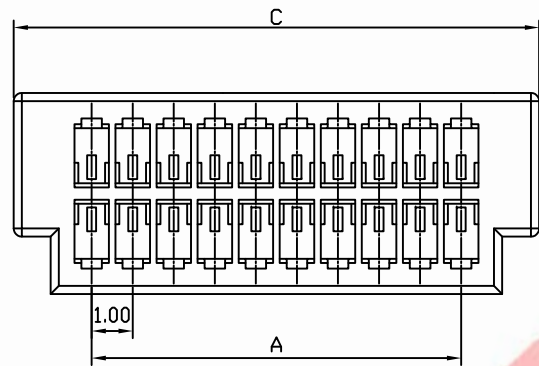


PART NO. 1002xxHA001  
 DWG NO. C1002HA



Isometric View

NOTE:

1. Housing Material: NY66 UL94V-0
- △ 2. Color: Natural
3. Current rating: 1A AC/DC
4. Voltage rating: 50V AC/DC
5. Withstand voltage: 500V AC/minute
- △ 6. Insulation resistance : 100MΩ min

Dimensional & Ordering Information:

Part No.	Circuits	Dim A	Dim B	Dim C
100220HA001	20	9.0	11.2	13.0
100230HA001	30	14.0	16.2	18.0
100240HA001	40	19.0	21.2	23.0
100250HA001	50	24.0	26.2	28.0

△	NOTE:		REV.	PAGE:	UNIT	m m	DWG NO:	PART.NO
	修改 #2項 : White → Natural 新增 #6項 : insulation resistance:100MΩ min							
REV.	REVISIONI		DIS	DATE				
1/1	B	1/1		5/6 2015	THIRD ANGLE PROJECTION		C1002HA	1002xxHA001



UNLESS OTHERWISE SPECIFIED TOLERANCES  
 3 PLACE ±0.5 ±0.10  
 2 PLACE ±1.5 ±0.25  
 1 PLACE ±2.0 ±0.50  
 ANGLE DIM