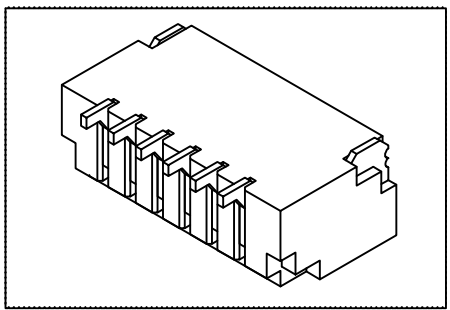
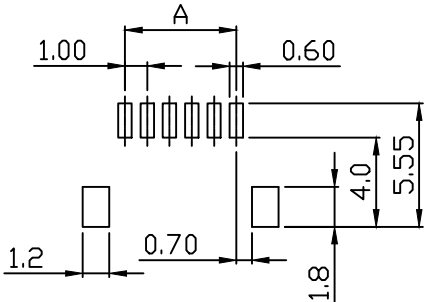
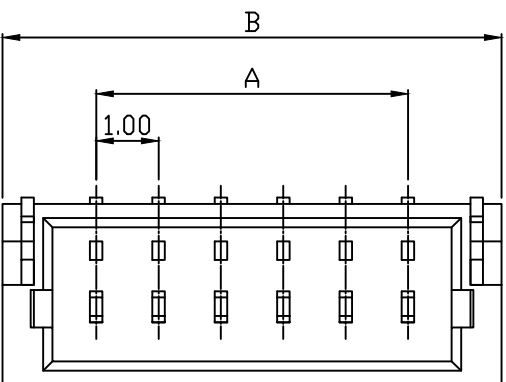
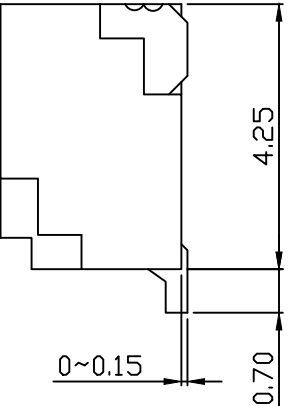
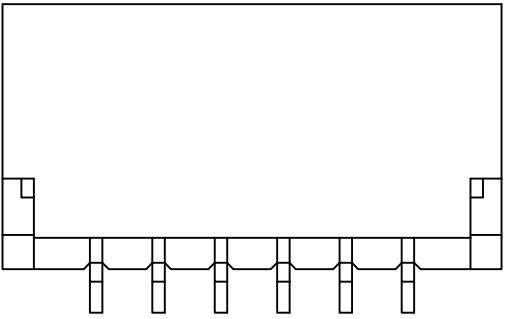


PART NO. 1001xxWE151  
 DWG NO. C1001WE



**RECOMMENDED PCB LAYOUT**  
 (PCB THK=1.0~1.6)



**Dimensional & Ordering Information:**

| Part No.    | Circuits | Dim A | Dim B |
|-------------|----------|-------|-------|
| 100102WE151 | 2        | 1.0   | 4.0   |
| 100103WE151 | 3        | 2.0   | 5.0   |
| 100104WE151 | 4        | 3.0   | 6.0   |
| 100105WE151 | 5        | 4.0   | 7.0   |
| 100106WE151 | 6        | 5.0   | 8.0   |
| 100107WE151 | 7        | 6.0   | 9.0   |
| 100108WE151 | 8        | 7.0   | 10.0  |
| 100109WE151 | 9        | 8.0   | 11.0  |
| 100110WE151 | 10       | 9.0   | 12.0  |
| 100111WE151 | 11       | 10.0  | 13.0  |
| 100112WE151 | 12       | 11.0  | 14.0  |
| 100113WE151 | 13       | 12.0  | 15.0  |
| 100114WE151 | 14       | 13.0  | 16.0  |
| 100115WE151 | 15       | 14.0  | 17.0  |
| 100116WE151 | 16       | 15.0  | 18.0  |
| 100117WE151 | 17       | 16.0  | 19.0  |
| 100118WE151 | 18       | 17.0  | 20.0  |
| 100119WE151 | 19       | 18.0  | 21.0  |
| 100120WE151 | 20       | 19.0  | 22.0  |

**NOTE:**

1. Wafer Material: Nylon 66 UL94V0  
Pin/Pos Material: brass bronze.
2. Plated: Tin-plated 50u"min.
3. Insulation resistance: 100M ohm/min.
4. Withstand voltage: 500V AC/minute.
5. Current rating: 1A AC/DC.
6. Voltage rating: 50V AC/DC

|       |          |      |                        |      |
|-------|----------|------|------------------------|------|
| REV.  | REVISION |      | DIS                    | DATE |
| SCALE | REV.     | PAGE | UNIT                   | mm   |
| NONE  | B        | 1    | THIRD ANGLE PROJECTION |      |

UNLESS OTHERWISE SPECIFIED TOLERANCES  
 3 PLACE ±0.5 ±0.10  
 2 PLACE ±1.5 ±0.25  
 1 PLACE ±2.0 ±0.50  
 ANGLE DIM

**EXCON**  
 EXCON TECHNOLOGY COMPANY

DWG NO: C1001WE  
 PART.NO: 1001xxWE151