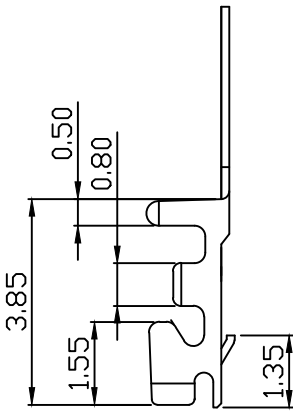
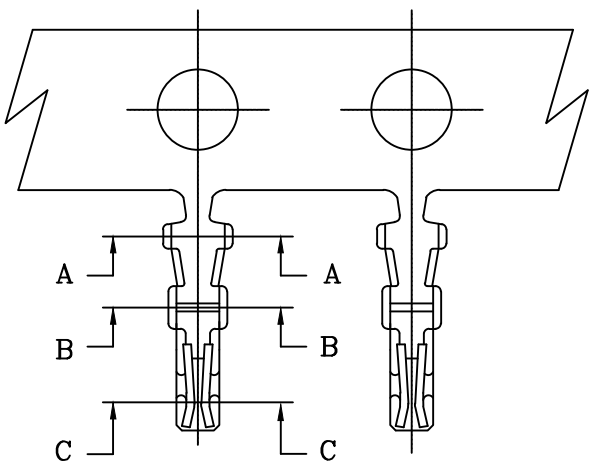
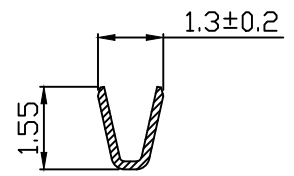


10 9 8 7 6 5 4 3 2 1

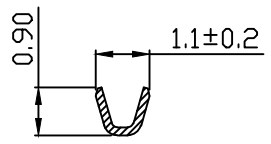
PART NO. 100100TC351
 DWG NO. C1001TC



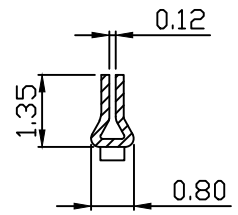
- NOTE:
1. Terminal Material: Phosphor bronze
 2. Plated: Ni 25u"min Tin-plated 50u"min.
 3. Applicable wires: AWG#32-#28
 4. Q'ty / reel: 20,000 pcs



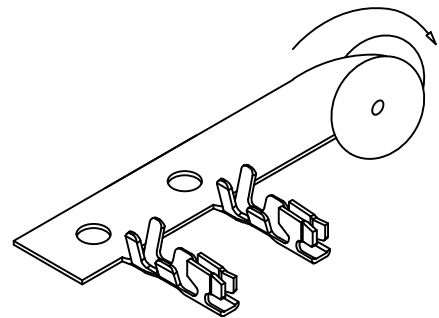
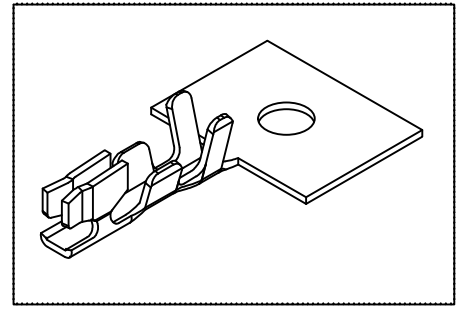
SEC: A-A



SEC: B-B



SEC: C-C



						UNLESS OTHERWISE SPECIFIED TOLERANCES		 EXCON TECHNOLOGY COMPANY
						3 PLACE ±0.5 ±0.10		
						2 PLACE ±1.5 ±0.25		
						1 PLACE ±2.0 ±0.50		
						ANGLE DIM		
REV.	REVISION			DIS	DATE			
SCALE	REV.	PAGE:	UNIT	mm	DWG NO:	PART.NO		
NONE	B	1	THIRD ANGLE PROJECTION		C1001TC	100100TC351		

10 9 8 7 6 5 4 3 2 1