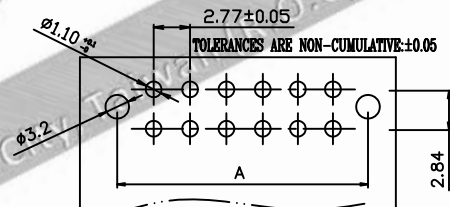
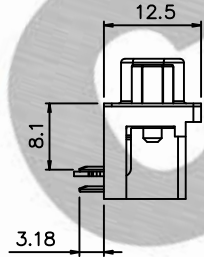
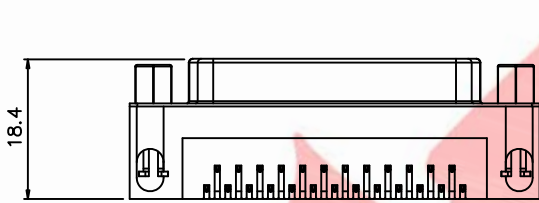
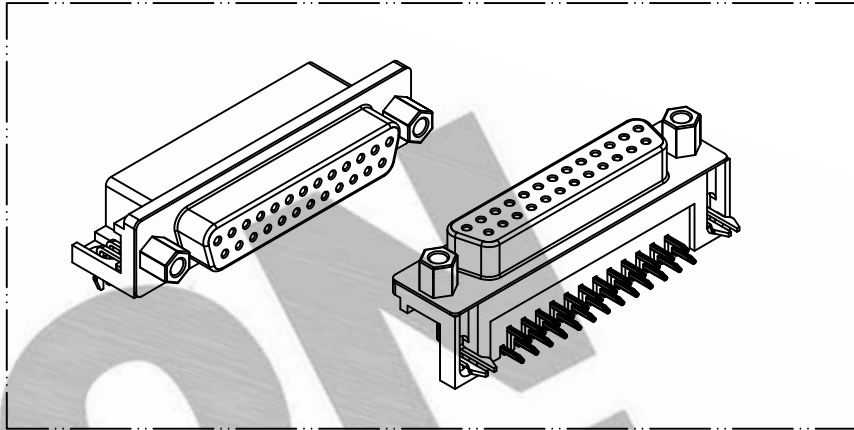
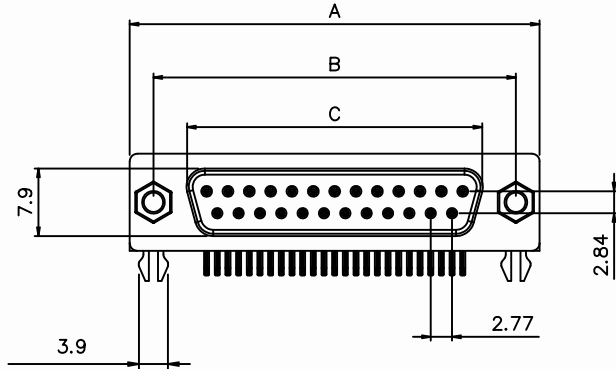


PART NO. 8201xxPF002
 DWG NO. C8201PF



RECOMMENDED PCB LAYOUT
 (PCB THK=1.0-1.6)

Dimensional & Ordering Information:

| Part No. | POS | A | B | C |
|-------------|-----|-------|-------|-------|
| 820109PF002 | 09 | 30.81 | 24.99 | 16.30 |
| 820115PF002 | 15 | 39.14 | 33.32 | 24.66 |
| 820125PF002 | 25 | 53.04 | 47.04 | 38.38 |
| 820137PF002 | 37 | 69.32 | 63.05 | 54.84 |

NOTE:

1. Wafer Material: PBT UL94V-0
Pin/Pos Material: brass bronze.
2. Plated: Tin-plated 50u"min.
3. Insulation resistance: 1000M ohm/min.
4. Withstand voltage: 1000V AC/minute.
5. Current retang: 3A AC/DC.
6. Voltage rating: 250V AC/DC

| | | | | | | |
|-------|-----------|-------|------------------------|---------------------------------------|-------------|--|
| | | | | UNLESS OTHERWISE SPECIFIED TOLERANCES | | EXCON EXCON TECHNOLOGY COMPANY |
| | | | | 3 PLACE ±0.5 ±0.10 | | |
| | | | | 2 PLACE ±1.5 ±0.35 | | |
| | | | | 1 PLACE ±2.0 ±0.50 | | |
| | | | | ANGLE DIM | | |
| REV. | REVISIONI | | | DIS | DATE | |
| SCALE | REV. | PAGE: | UNIT | mm | | DWG NO: |
| 1/1 | A | 2 | THIRD ANGLE PROJECTION | | | C8201PF |
| | | | | | PART.NO | |
| | | | | | 8201xxPF002 | |