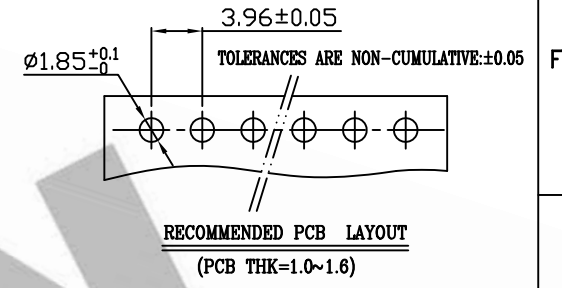
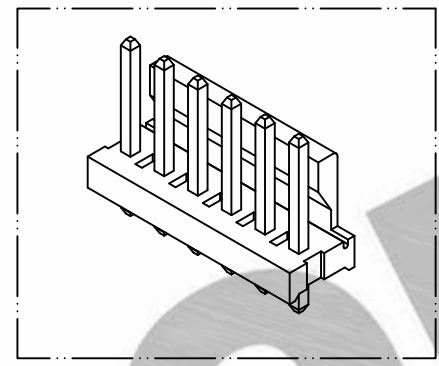
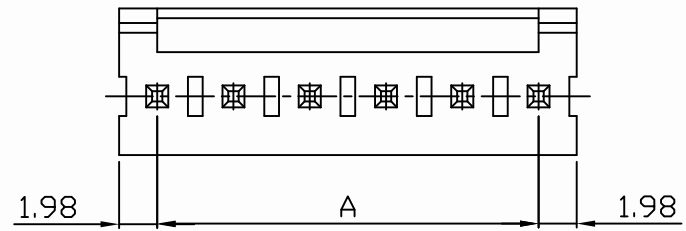
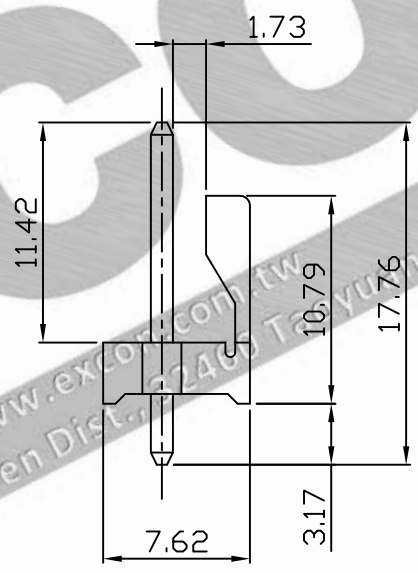
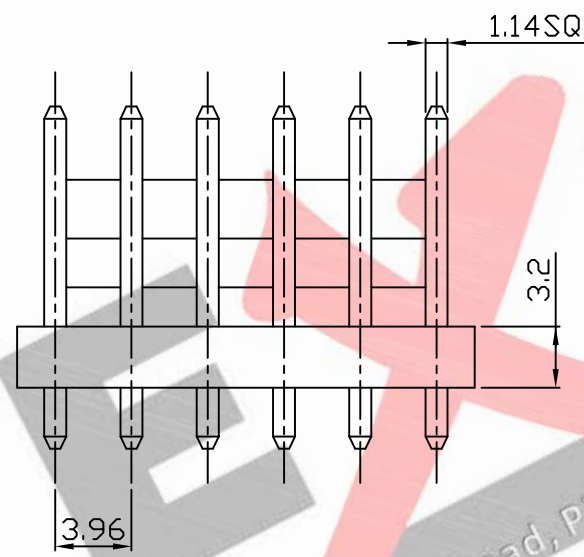


PART NO. 7805xxWV001
 DWG NO. C7805WV



Dimensional & Ordering Information:

Part No.	Circuits	Dim A
780502WV001	2	3.96
780503WV001	3	7.92
780504WV001	4	11.88
780505WV001	5	15.84
780506WV001	6	19.80
780507WV001	7	23.76
780508WV001	8	27.72
780509WV001	9	31.68
780010WV001	10	35.64
780011WV001	11	39.60
780012WV001	12	43.56
780013WV001	13	47.52
780014WV001	14	51.48
780015WV001	15	55.44
780016WV001	16	59.40
780017WV001	17	63.36
780018WV001	18	67.32
780019WV001	19	71.28
780520WV001	20	75.24
780521WV001	21	79.20
780522WV001	22	83.16
780523WV001	23	87.12
780524WV001	24	91.08



- NOTE:
- Housing Material: Nylon 66 UL94V0
Pin/Pos Material: brass bronze.
 - Plated: Tin-plated 50u"min.
 - Withstand voltage: 1500V AC/minute.
 - Current rating: 5A AC/DC.
 - Voltage rating: 250V AC/DC
 - Color: Natural

REV.				REVISION		DIS	DATE	UNLESS OTHERWISE SPECIFIED TOLERANCES 3 PLACE ±0.5 ±0.10 2 PLACE ±1.5 ±0.25 1 PLACE ±2.0 ±0.50 ANGLE DIM
SCALE	REV.	PAGE:	UNIT	mm		DWG NO:		
4/1	A	1	THIRD ANGLE PROJECTION			C7805WV		

EXCON
 EXCON TECHNOLOGY COMPANY

PART.NO
 7805xxWV001