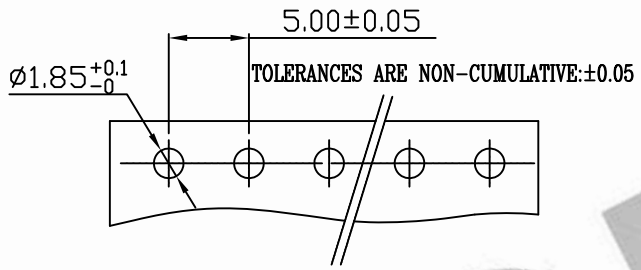
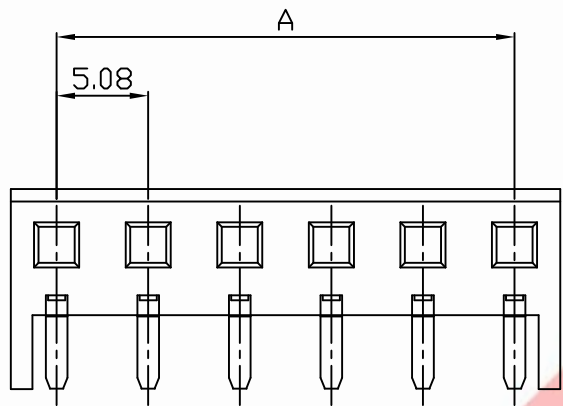
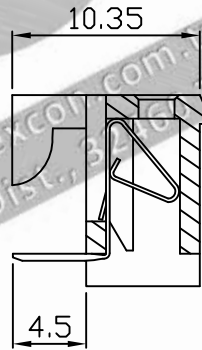
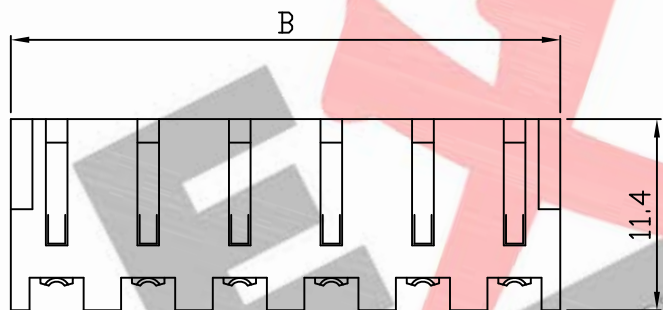
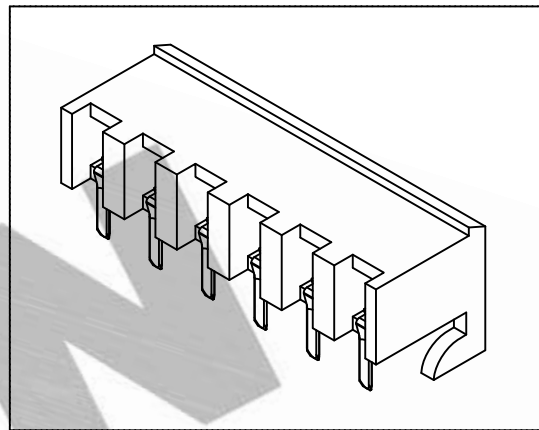


PART NO. 7703xxWR051
 DWG NO. C7703WR



RECOMMENDED PCB LAYOUT
 (PCB THK=1.0~1.6)



Dimensional & Ordering Information:

| Part No. | Circuits | Dim A | Dim B |
|-------------|----------|-------|-------|
| 770302WR051 | 2 | 5.08 | 10.16 |
| 770303WR051 | 3 | 10.16 | 15.24 |
| 770304WR051 | 4 | 15.24 | 20.32 |
| 770305WR051 | 5 | 20.32 | 25.40 |
| 770306WR051 | 6 | 25.40 | 30.48 |
| 770307WR051 | 7 | 30.48 | 35.56 |
| 770308WR051 | 8 | 35.56 | 40.64 |
| 770309WR051 | 9 | 40.64 | 45.72 |
| 770310WR051 | 10 | 45.72 | 50.80 |
| 770311WR051 | 11 | 50.80 | 55.88 |
| 770312WR051 | 12 | 55.88 | 60.96 |
| 770313WR051 | 13 | 60.96 | 66.04 |
| 770314WR051 | 14 | 66.04 | 71.12 |
| 770315WR051 | 15 | 71.12 | 76.20 |
| 770316WR051 | 16 | 76.20 | 81.28 |
| 770317WR051 | 17 | 81.28 | 86.36 |
| 770318WR051 | 18 | 86.36 | 91.44 |
| 770319WR051 | 19 | 91.44 | 96.52 |
| 770320WR051 | 20 | 96.52 | 101.6 |

NOTE:

1. Housing Material: Nylon 66 UL94V2
2. Color: Natural
3. Insulation resistance: 1000MΩ min.
4. Withstand voltage: 1500V AC/minute.
5. Current rating: 5A AC/DC.
6. Voltage rating: 250V AC/DC

| | | | | | | |
|-------|----------|-------|------------------------|---------------------------------------|-------------|--|
| | | | | UNLESS OTHERWISE SPECIFIED TOLERANCES | | EXCON EXCON TECHNOLOGY COMPANY |
| | | | | 3 PLACE ±0.5 ±0.10 | | |
| | | | | 2 PLACE ±1.5 ±0.35 | | |
| | | | | 1 PLACE ±2.0 ±0.50 | | |
| | | | | ANGLE DIM | | |
| REV. | REVISION | | | DIS | DATE | |
| SCALE | REV. | PAGE: | UNIT | mm | | DWG NO: |
| 4/1 | A | 1 | THIRD ANGLE PROJECTION | | | C7703WR |
| | | | | | PART.NO | |
| | | | | | 7703xxWR051 | |